



**BUILT-IN HOUSEHOLD REFRIGERATOR-FREEZERS**  
**RÉFRIGÉRATEURS-CONGÉLATEURS ENCASTRÉS**  
*pour USAGE DOMESTIQUE*

**Models / Modèles**

**CT661BI/CT661WBI Series**



**CT663BBI/CT663BKBI Series**



**Instruction Manual / Mode d'emploi**

**BEFORE USE, PLEASE READ AND FOLLOW ALL SAFETY RULES AND OPERATING INSTRUCTIONS**

**AVANT UTILISATION, S'IL VOUS PLAÎT LIRE ET SUIVRE LES RÈGLES DE SÉCURITÉ  
ET INSTRUCTIONS DE FONCTIONNEMENT**

Write the Serial Number here:  
Écrivez le numéro de série ici:

\_\_\_\_\_

**FELIX STORCH, INC.**  
**770 Garrison Avenue**  
**Bronx, NY10474**  
**[www.summitappliance.com](http://www.summitappliance.com)**

# IMPORTANT SAFEGUARDS

Your safety and the safety of others are very important.



Before the appliance is used, it must be properly positioned and installed as described in this manual, so read the manual carefully. To reduce the risk of fire, electrical shock or injury when using the appliance, follow basic precautions, including the following:

## DANGER

- Plug into a grounded 3-prong outlet. Do not remove grounding prong, do not use an adapter, and do not use an extension cord.
- It is recommended that a separate circuit, serving only your appliance, be provided. Use receptacles that cannot be turned off by a switch or pull chain.
- Never clean appliance parts with flammable fluids. These fumes can create a fire hazard or explosion. And do not store or use gasoline or other flammable vapors and liquids in the vicinity of this or any other appliance. The fumes can create a fire hazard or explosion.
- Before proceeding with cleaning and maintenance operations, make sure the power line of the unit is disconnected.
- Do not connect or disconnect the electric plug when your hands are wet.
- Unplug the appliance or disconnect the power before cleaning or servicing. Failure to do so can result in electrical shock or death.
- Do not attempt to repair or replace any part of your appliance unless it is specifically recommended in this material. All other servicing should be referred to a qualified technician.

## WARNING

- Use two or more people to move and install the appliance. Failure to do so can result in back or other injury.
- To ensure proper ventilation for your appliance, the front of the unit must be completely unobstructed. Choose a well-ventilated area with temperatures above 60 F (16 C) and below 90 F (32 C). This unit must be installed in an area protected from the elements, such as wind, rain, water spray or drips.
- The appliance should not be located next to ovens, grills or other sources of high heat.
- The appliance must be installed with all electrical connections in accordance with state and local codes. A standard electrical supply (115V AC only, 60 Hz), properly grounded in accordance with the National Electrical Code and local codes and ordinances, is required.
- Do not kink or pinch the power supply cord of the appliance.
- The fuse (or circuit breaker) size should be 15 amperes.
- It is important for the appliance to be leveled in order to work properly. You may need to make several adjustments to level it.
- Never allow children to operate, play with or crawl inside the appliance.
- Do not use solvent-based cleaning agents or abrasives on the interior. These cleaners may damage or discolor the interior.
- Do not use this apparatus for other than its intended purpose.



### *Risk of child entrapment!*

Child entrapment and suffocation are not problems of the past. Junked or abandoned refrigerators and freezers are still dangerous, even if they will “just sit in the garage a few days.”

- **Before you throw away your old refrigerator or freezer:** Take off the doors. Leave the shelves or drawers in place so that children may not easily climb inside.
- Never allow children to operate, play with, or crawl inside the appliance.

*THIS APPLIANCE IS NOT INTENDED FOR USE BY YOUNG CHILDREN OR INFIRM PERSONS UNLESS THEY HAVE BEEN ADEQUATELY SUPERVISED BY A RESPONSIBLE PERSON TO ENSURE THAT THEY CAN USE THE APPLIANCE SAFELY. YOUNG CHILDREN SHOULD BE SUPERVISED TO ENSURE THAT THEY DO NOT PLAY WITH THE APPLIANCE.*

**- SAVE THESE INSTRUCTIONS -**

*To save energy and maintain optimum performance:*

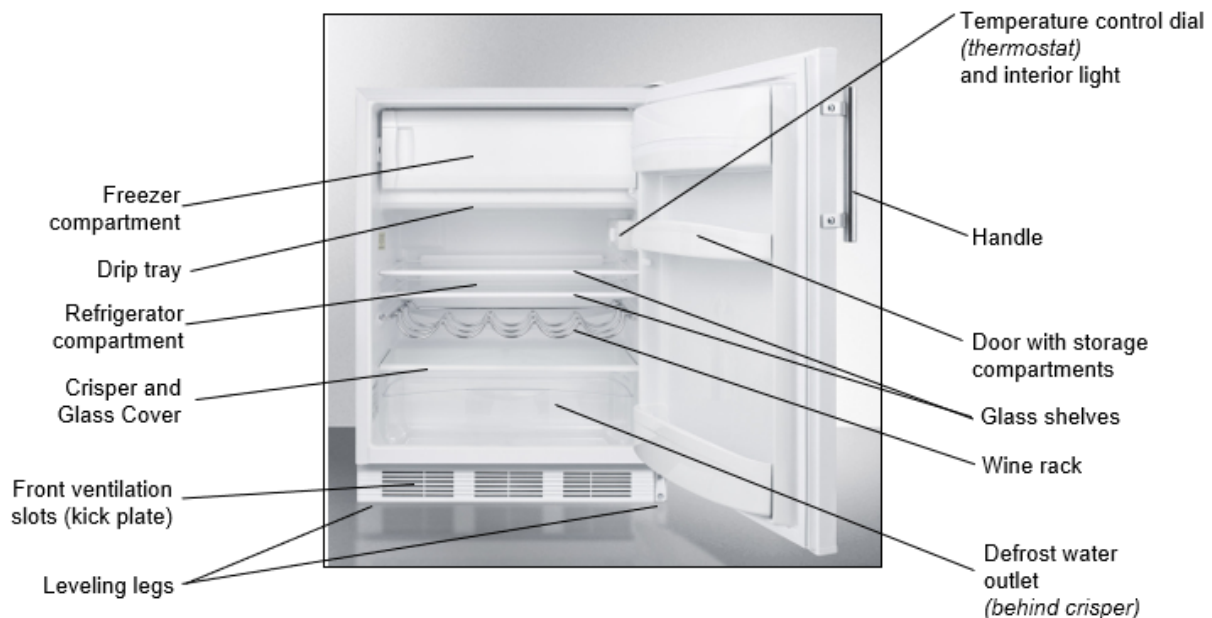
Your appliance may be installed as a free-standing unit or built into an enclosure or below a countertop.

When positioning this unit: If used freestanding allow at least 2 inches of clearance on top, at the sides and in the rear for sufficient airflow. If unit is built in, allow 2” of air space between the rear of the unit and the wall and leave at least 1/8” on both sides and 1/16” at the top. Be sure that airflow under the appliance is not blocked.

# TABLE OF CONTENTS

<b>Location of Parts</b>	<b>4</b>
<b>Technical Information</b>	<b>5</b>
<b>Installation Instructions</b>	<b>5-8</b>
<i>Before Using your Appliance</i>	5
<i>Installing your Refrigerator-Freezer</i>	5
<i>Electrical Connection</i>	6
<i>Extension Cord</i>	6
<i>Reversing the Door Swing</i>	7
<b>Operating your Refrigerator-Freezer</b>	<b>8-9</b>
<i>Temperature Control</i>	8
<i>Defrosting</i>	9
<b>Care and Maintenance</b>	<b>9-10</b>
<i>Cleaning your Appliance</i>	9
<i>Power Failure</i>	10
<i>Vacation Time</i>	10
<i>Moving your Appliance</i>	10
<i>Energy-saving Tips</i>	10
<b>Troubleshooting</b>	<b>11</b>
<b>Limited Warranty</b>	<b>12</b>

## LOCATION OF PARTS



# TECHNICAL INFORMATION

<b>Model Numbers</b>	CT661BI/CT661WBI (white) CT663BBI/CT663BKBI (black exterior)
<b>Capacity</b>	5.1 cu. ft.
<b>Electrical Input</b>	115V AC/60Hz
<b>Rated Current</b>	1.3A
<b>Temperature of Freezer</b>	5°F
<b>Refrigerant</b>	R134a: CT661BI, CT663BBI R600a: CT661WBI, CT663BKBI
<b>Installation</b>	Built-in or free-standing
<b>Ship Weight</b>	102 lbs.
<b>Unit Dimensions (W x D x H)</b>	23.63" x 23" x 33.25"

\*Units with suffix "ADA" or prefix "AL" are sized at 32" for use under in ADA compliant applications

NOTE: Specifications are subject to change without notice.

## INSTALLATION INSTRUCTIONS

### Before Using Your Appliance

- Remove the exterior and interior packing.
- Before connecting the unit to a power source, let it stand for approximately 2 hours. This will reduce the possibility of a malfunction in the cooling system from handling during transportation.
- Remove the crisper, drip tray and shelves and clean them and the interior surfaces of the unit with lukewarm water using a soft cloth.

### Installing the Refrigerator-Freezer

- Place the unit on a floor that is strong enough to support the appliance when it is fully loaded. To level the unit, adjust the two leveling legs at the front.
- These models can be installed either free-standing, recessed or built into an enclosure. When installing as a free-standing unit, allow at least 2" (51mm) of space at the sides, top and rear of the unit to allow for proper air circulation to cool the compressor and condenser. Even when built in, the unit requires at least 2" of clearance at the back, 1/8" (3mm) at both sides and 1/16" (1.6mm) at the top. Take care that the air vents at the front of the appliance are never covered or blocked in any way.
- This appliance is supplied with spacers that have to be mounted onto the condenser tube to make sure there is sufficient clearance between the appliance and the wall.



- Locate the unit away from direct sunlight and sources of heat (oven, heater, radiator, etc.). Direct sunlight may affect the acrylic coating and heat sources may increase electrical consumption. Extremely cold ambient temperatures may also affect the unit's performance.
- Avoid locating the unit in moist areas. Too much moisture in the air will cause frost to form quickly on the evaporator, requiring more frequent defrosting of the freezer compartment.
- Plug the unit into an exclusive, properly installed and grounded wall outlet. Any questions concerning power and/or grounding should be directed toward a certified electrician or authorized service center.

## Electrical Connection

### **WARNING**

*Improper use of the grounded plug can result in the risk of electrical shock. If the power cord is damaged, have it replaced by the manufacturer, its service agent or similarly qualified persons in order to avoid a hazard.*

This unit should be properly grounded for your safety. The power cord of this unit is equipped with a three-prong plug which mates with a standard three-prong wall outlet to minimize the possibility of electrical shock.

Do not under any circumstances cut or remove the third ground prong from the power cord supplied. For personal safety, this appliance must be properly grounded.

This unit requires a standard 115-volt AC/60Hz electrical outlet with three-prong ground. Have the wall outlet and circuit checked by a qualified electrician to make sure the outlet is properly grounded. When a standard 2-prong wall outlet is encountered, it is your responsibility and obligation to have it replaced with a properly grounded 3-prong wall outlet.

To prevent accidental injury, the cord should be secured behind the unit and not left exposed or dangling.

The unit should always be plugged into its own individual electrical outlet which has a voltage rating that matches the rating label on the appliance. This provides the best performance and also prevents overloading house wiring circuits that could cause a fire hazard from overheated wires. Never unplug the unit by pulling on the power cord. Always grip the plug firmly and pull straight out from the receptacle. Repair or replace immediately any power cord that has become frayed or otherwise damaged. Do not use a cord that shows cracks or abrasion damage along its length or at either end. When moving the unit, be careful not to damage the power cord.

## Extension Cord

Do not use an extension cord with this appliance. If the power cord is too short, have a qualified electrician or service technician install an outlet near the appliance.

## Reversing the Door Swing (Units with suffix TB, HV, CSS, and IF are not user-reversible)

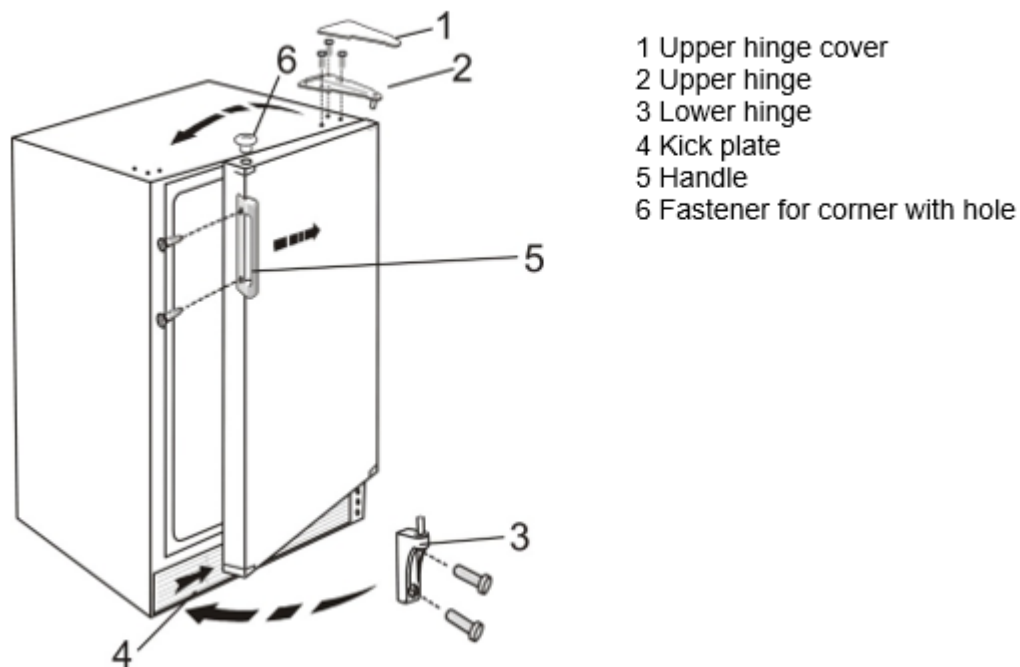
If you find the direction of opening the door of the appliance inconvenient, you can change it. Holes on the opposite side have already been prepared at the factory.

This appliance can be opened from either the right side or the left. By default, the door hinge is on the right side. If you prefer it on the left, please follow these instructions:

1. Take off the upper hinge cover from the door and remove the screws that hold the top hinge.
2. Lift the hinge straight up to free the hinge pin from the socket in the top of the door.
3. Lift the door up and away to free its bottom socket from the hinge pin.
4. Remove the screws to the bottom hinge.
5. Remove the decorative caps from the opposite side and plug the holes from the original side with the decorative caps.
6. Move the bottom hinge to the opposite side and tighten the screws. Use any lock washers or nuts if they were installed in the original installation.
7. Replace door onto the hinge pin on the bottom hinge. Place top hinge pin into door. Insert screws into the top hinge and tighten.
8. Check the gasket. It should not be creased and should seal well.

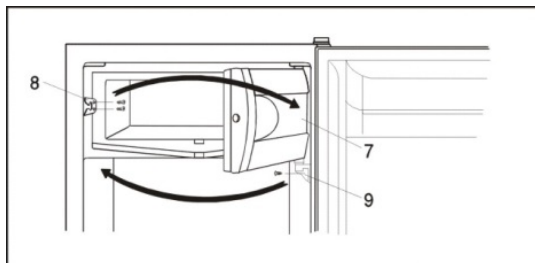
## Switching the Door Handle

The door has two screw holes on each side, allowing you to move the handle from one side to the other. To do so, unscrew the handle from its original location and align the handle with the screw holes on the opposite side. Fix the handle in place with the screws, then cover the screw heads with the handle seal.



### Changing the Direction of Door Opening on the Low Temperature Compartment:

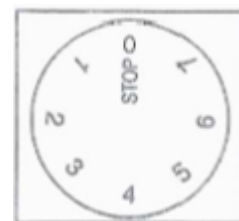
- Unscrew the blocking element and the hinge of the low temperature compartment and take off the door.
- Plug the holes with plastic caps provided.
- Turn the door 180° and replace it on the opposite side of the low temperature compartment. Fix the hinge and the blocking element of the door (position of holes already provided).



## OPERATING YOUR REFRIGERATOR-FREEZER

### Temperature Control

- A unique dual evaporator system separately cools the refrigerator while keeping the freezer at 5°F. (Ice cream and other food items in the freezer stay frozen and free of freezer burn.)
- The refrigerator temperature is controlled with a thermostat knob located inside the unit, towards the upper right-hand corner. Turn the knob clockwise from the **STOP (0)** position toward the higher numbers for colder temperatures. Higher settings on the knob (higher numbers) mean lower temperatures (colder) in the refrigerator.
- On the coldest settings, temperatures in some spots of the refrigerator compartment may drop below 32°F. Use higher thermostat settings only when required or recommended. When the ambient temperature is normal, we recommend a medium setting.
- Changes in the ambient temperature affect temperature in the refrigerator compartment so choose an appropriate setting of the thermostat knob, depending on ambient conditions.
- In the **STOP (0)** position, the appliance does not operate (the cooling system is switched off), yet the power supply is not interrupted (the light goes on when you open the refrigerator door).
- The temperature in the refrigerator compartment also depends on how often you open the door.
- In all small refrigerators and freezers without interior fans, temperatures are coldest near the bottom, and occasionally near the rear. Place contents accordingly. It is best not to operate these units mostly empty. If temperatures are erratic, try putting some water bottles or freezer packs inside to create a load for the compressor.





## NOTES:

1. For best storage, be sure not to over-pack and assure the freezer door closes fully.
2. The glass shelves are adjustable. These shelves stop short an inch before the back wall, which is essential for air flow and the proper operation of the automatic defrost system. Do not block these gaps.
3. The interior light on this unit is controlled by a plunger type switch, so that the light comes on automatically when the refrigerator door is opened.
4. If the unit is unplugged, has lost power or is turned off, you must wait 3 to 5 minutes before restarting the unit. If you attempt to restart before this time delay, the unit will not start.

## Defrosting Your Appliance

This appliance combines a manual defrost freezer section and an automatic defrost refrigerator section. The refrigerator compartment defrosts itself, but when frost builds to ½ inch in the freezer compartment, defrost carefully according to this procedure:

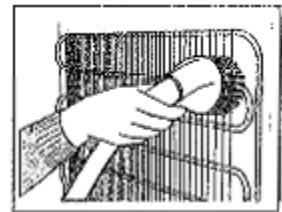
1. Remove contents from the entire unit, taking care that frozen items do not begin to thaw. Set the thermostat to **STOP (0)**.
2. Unplug the appliance. Defrosting is accelerated if the doors are left open.
3. Melting ice will drain into the drip tray below the freezer compartment. Empty this as needed.
4. Use a sponge or toweling to remove water and melting ice from the freezer floor. After the frost or ice has melted, dry the interior of the freezer compartment thoroughly.
5. Restart the appliance by plugging it in and turning the thermostat to the desired position. Once it is cold, return contents to the freezer and refrigerator sections.

**CAUTION:** Do not use boiling water or an electric device such as a hair dryer to help speed up the defrosting process because this could damage the plastic parts of the unit. In addition, never use a sharp or metallic instrument to remove frost as it may damage the cooling coils and will void the warranty. We recommend using a plastic scraper.

# CARE AND MAINTENANCE

## Cleaning Your Appliance

1. Unplug the appliance, turn the thermostat to **STOP (0)** and remove all contents, including shelves, drip tray and crisper.
2. Wash the inside surfaces with a solution of lukewarm water and vinegar. Wipe dry with a clean, soft cloth.
3. Wash the shelves, drip tray and crisper with a mild detergent solution, then rinse and dry thoroughly.
4. Wash the outside cabinet with warm water and mild liquid detergent. Rinse well and wipe dry with a clean soft cloth.
5. Wring excess water out of the sponge or cloth before cleaning the area of the temperature control or any electrical parts.
6. From time to time, wipe the condenser on the rear wall with a soft non-metallic brush or vacuum cleaner.
7. After you have cleaned the appliance, reconnect it to the power supply, reset the thermostat and return all contents to their place.



## **Power Failure**

Most power failures are corrected within a few hours and should not affect the temperature of your appliance if you minimize the number of times the door is opened. If the power is going to be off for a longer period of time, you need to take the proper steps to protect your frozen and chilled items.

## **Vacation Time**

During long absences, remove all contents. Unplug the appliance, clean it and leave the doors open slightly to avoid possible formation of condensation, mold, or odors.

## **Moving Your Appliance**

1. Remove the contents.
2. Securely tape down all loose items inside your unit.
3. Turn the leveling legs up to the base to avoid damage.
4. Tape the door shut.
5. Be sure the appliance stays secure in the upright position during transportation.

## **Energy-Saving Tips**

- Locate the unit in the coolest area of the room, away from heat-producing appliances or heating ducts and out of direct sunlight.
- Try not to open the door too often, especially when the weather is damp and hot. Once you open the door, close it as soon as possible.
- Occasionally check if the appliance is sufficiently ventilated (adequate air circulation behind the appliance).
- Set the thermostat from higher to lower settings as soon as possible (depends on how loaded the appliance is, ambient temperature, etc.).
- Before loading items into the unit, be sure they have cooled to ambient temperature.
- A layer of frost and ice increases energy consumption, so defrost the freezer as soon as the layer is 1/2" thick.

# TROUBLESHOOTING

When using this appliance, you may come across some problems that in many cases result from improper handling and can easily be eliminated.

## ***The appliance fails to operate after being connected to the power source.***

- Check whether the power supply is active and that the thermostat is not set to the **STOP (0)** position.

## ***The compressor is running continuously.***

- The door was opened frequently or it was left open too long.
- The door is not properly closed (the door may sag; the gasket may be dirty or damaged).
- The power supply has been interrupted for a long period of time.
- The appliance may have been overloaded with items above room temperature.
- There may be inadequate ventilation of the compressor and condenser. (Assure there is adequate air circulation behind the appliance and wipe the dust from the condenser.)

## **Noise**

Cooling in refrigeration appliances is enabled by the refrigerating system with a compressor, which produces noise. How noisy the appliance is dependent on where it is placed, how it is used and how old the appliance is.

- During the operation of the compressor, the noise of liquid is heard and when the compressor is not operating, the refrigerant flow is heard. This is a normal condition and has no influence whatsoever on the lifetime of the appliance.
- After starting the appliance, the operation of the compressor and the refrigerant flow may be louder. This does not mean that something is wrong. Gradually the noise is reduced.
- Sometimes a louder noise is heard, which is unusual for the appliance. This noise is often a consequence of improper placement of the unit. (The unit should be placed and leveled firmly on a solid base and it should not touch the wall or cabinets standing next to it.)

# LIMITED WARRANTY

## ONE-YEAR LIMITED WARRANTY

Within the 48 contiguous United States, for one year from the date of purchase, when this appliance is operated and maintained according to instructions attached to or furnished with the product, warrantor will pay for factory-specified parts and repair labor to correct defects in materials or workmanship. Service must be provided by a designated service company. Outside the 48 states, all parts are warranted for one year from manufacturing defects. Plastic parts, shelves and cabinets are warranted to be manufactured to commercially acceptable standards, and are not covered from damage during handling or breakage.

## 5-YEAR COMPRESSOR WARRANTY

1. The compressor is covered for 5 years.
2. Replacement does not include labor.

### **ITEMS WARRANTOR WILL NOT PAY FOR:**

1. Service calls to correct the installation of your appliance, to instruct you how to use your appliance, to replace or repair fuses or to correct wiring or plumbing.
2. Service calls to repair or replace appliance light bulbs or broken shelves. Consumable parts (such as filters) are excluded from warranty coverage.
3. Damage resulting from accident, alteration, misuse, abuse, fire, flood, acts of God, improper installation, installation not in accordance with electrical or plumbing codes, or use of products not approved by warrantor.
4. Replacement parts or repair labor costs for units operated outside the United States.
5. Repairs to parts or systems resulting from unauthorized modifications made to the appliance.
6. Expenses for travel and transportation for product service in remote locations.
7. The removal and reinstallation of your appliance if it is installed in an inaccessible location or is not installed in accordance with published installation instructions.

## DISCLAIMER OF IMPLIED WARRANTIES - LIMITATION OF REMEDIES

CUSTOMER'S SOLE AND EXCLUSIVE REMEDY UNDER THIS LIMITED WARRANTY SHALL BE PRODUCT REPAIR AS PROVIDED HEREIN. IMPLIED WARRANTIES, INCLUDING WARRANTIES OF MERCHANTABILITY OR FITNESS FOR A PARTICULAR PURPOSE, ARE LIMITED TO ONE YEAR. WARRANTOR SHALL NOT BE LIABLE FOR INCIDENTAL OR CONSEQUENTIAL DAMAGES. SOME STATES DO NOT ALLOW THE EXCLUSION OR LIMITATION OF INCIDENTAL OR CONSEQUENTIAL DAMAGES, OR LIMITATIONS ON THE DURATION OF IMPLIED WARRANTIES OF MERCHANTABILITY OR FITNESS, SO THESE EXCLUSIONS OR LIMITATIONS MAY NOT APPLY TO YOU. THIS WARRANTY GIVES YOU SPECIFIC LEGAL RIGHTS AND YOU MAY ALSO HAVE OTHER RIGHTS, WHICH VARY FROM STATE TO STATE



**WARNING:** This product can expose you to chemicals including Nickel (Metallic) which is known to the State of California to cause cancer.

For more information go to [www.P65Warnings.ca.gov](http://www.P65Warnings.ca.gov)

Note: Nickel is a component in all stainless steel and some other metallic compositions.

**FELIX STORCH, INC.**  
770 Garrison Avenue  
Bronx, NY10474  
[www.summitappliance.com](http://www.summitappliance.com)

**SUMMIT**  
A P P L I A N C E  
For parts and accessory ordering,  
troubleshooting and helpful hints, visit:  
[www.summitappliance.com/support](http://www.summitappliance.com/support)

# MESURES DE SECURITE IMPORTANTES

Votre sécurité et celle des autres est très importante pour nous. Nous avons fourni plusieurs messages de sécurité importants dans ce manuel. Toujours lire et suivre les consignes de sécurité. Des blessures graves ou même la mort peuvent survenir si vous ne suivez pas ces instructions. Tous les messages de sécurité vous diront quel est le danger potentiel, comment réduire le risque de blessure et ce qui peut arriver si les instructions ne sont pas suivies.

ATTENTION ! Pour réduire le risque d'incendie, de choc électrique ou de blessure lors de l'utilisation de votre appareil, suivre ces précautions essentielles :

- Utiliser deux ou plus de personnes pour déplacer et installer cet appareil.
- Brancher sur une prise à 3 broches mise à la terre.
- Ne pas enlever la broche mise à la terre, ni utiliser un adaptateur 3/2.
- Ne pas utiliser une rallonge.
- Veiller à ne pas brancher dans les prises contrôlées par des interrupteurs muraux.
- Pour installer votre appareil, choisissez un endroit bien aéré avec des températures supérieures à 60°F (16°C) et en dessous de 90°F (32°C).
- Cet appareil doit être installé dans un endroit protégé des éléments, tels que le vent, la pluie, de l'eau pulvérisée ou gouttes.
- L'appareil ne doit pas être situé à proximité de fours, grilles ou d'autres sources de chaleur intense. Gardez-le hors des rayons directs du soleil.
- Coupez l'alimentation avant l'entretien.
- Après le service, remplacer toutes les pièces et panneaux avant de faire fonctionner.
- Ne pas stocker ou utiliser de l'essence ou d'autres produits inflammables dans le domaine de ce ou tout autre appareil, comme les émanations peuvent provoquer un risque d'incendie ou d'explosion.
- Utiliser des nettoyeurs non inflammables.
- Lors du remplacement d'une ampoule, débranchez l'appareil ou coupez le courant au disjoncteur ou la boîte à fusibles afin d'éviter de toucher un fil sous tension. Pour les modèles avec thermostats à cadran, tourner le thermostat à **STOP (0)** (*Arrêt*) coupe le compresseur, mais ne coupe pas l'alimentation des autres composants électriques.
- Ne débranchez jamais votre appareil en tirant sur le cordon d'alimentation. Tenez toujours la fiche fermement et tirer tout droit sorti de la prise.
- Veillez à ne pas écraser ou endommager le cordon pour déplacer l'appareil.
- Ne vous pincer pas, nouer ou plier le cordon d'alimentation de toute manière.
- Remplacer ou réparer un cordon de service électrique qui a été endommagé ou effiloché.
- Débranchez l'appareil avant d'effectuer des réparations ou le nettoyage. Nous recommandons que le service soit effectué par un technicien qualifié.

Si votre électricité s'éteint, suivez cette procédure :

- Appelez votre compagnie d'électricité pour déterminer combien de temps le service doit être interrompu.
- Si le service doit être interrompu pendant moins de 24 heures, garder l'appareil fermée autant que possible. Cela permettra de garder le contenu de se gâter.
- Si le service doit être interrompu pendant plus de 24 heures, retirer le contenu et stocker dans un casier réfrigéré ou autre réfrigérateur.

***DANGER !*** *Risque de piégeage d'enfants !*

Les appareils anciens peuvent représenter un danger d'étouffement pour les enfants.

- Enlevez la porte(s) de votre ancien appareil.
- Laissez les étagères ou des paniers en place.
- Si votre ancien appareil contient des fluides frigorigènes, il doit être recyclé par une agence agréée de service ou d'élimination des déchets.

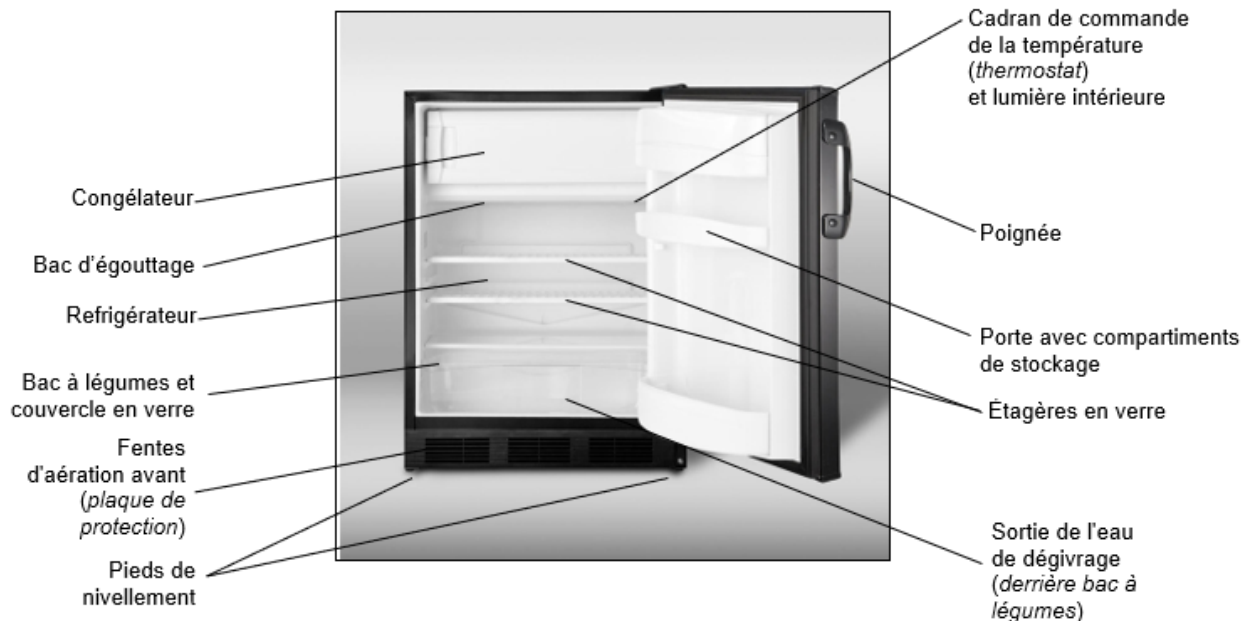
CET APPAREIL N'EST PAS DESTINÉ À L'USAGE DES JEUNES ENFANTS OU DES PERSONNES HANDICAPÉES MOINS QU'ELLES AIENT ÉTÉ ADÉQUATEMENT SURVEILLÉES PAR UNE PERSONNE RESPONSABLE DE FAÇON QU'ELLES PUISSENT UTILISER LES APPAREIL EN TOUTE SÉCURITÉ. LES JEUNES ENFANTS DOIVENT ÊTRE SURVEILLÉS POUR ÉVITER QU'ILS NE PAS JOUER AVEC L'APPAREIL.

**–CONSERVER CES INSTRUCTIONS–**

# TABLE DES MATIÈRES

<b>Emplacement des Pièces</b>	<b>15</b>
<b>Information Technique</b>	<b>16</b>
<b>Instructions d'Installation</b>	<b>16-18</b>
<i>Avant d'utiliser votre appareil</i>	16
<i>Installation du réfrigérateur-congelateur</i>	16-17
<i>Connexion électrique</i>	17
<i>Rallonge</i>	18
<i>Inversant l'ouverture de la porte</i>	18
<b>Fonctionnement de votre Appareil</b>	<b>19-20</b>
<i>Contrôle de la température</i>	19
<i>Dégivrage</i>	20
<b>Entretien et Maintenance</b>	<b>21-22</b>
<i>Nettoyage de votre appareil</i>	21
<i>Panne de courant</i>	21
<i>Vacances</i>	21
<i>Déplacement de votre appareil</i>	21
<i>Conseils de économie d'énergie</i>	21-22
<b>Depannage</b>	<b>22</b>
<b>Garantie Limitée</b>	<b>24</b>

## EMPLACEMENT DES PIÈCES



# INFORMATION TECHNIQUE

<b>Numéros de modèles</b>	CT661BI/CT661WBI (blanc) CT663BBI/CT663BKBI (extérieur noir)
<b>Capacité</b>	5,1 pieds cubes (144,5 litres)
<b>Entrée électrique</b>	115V CA / 60Hz
<b>Courant assigné</b>	1.3A
<b>Température du congélateur</b>	-15 ° C
<b>Refrigérant</b>	R134a: CT661BI, CT663BBI R600a: CT661WBI, CT663BKBI
<b>Installation</b>	Encastrée ou autoportante
<b>Poids à l'expédition</b>	46,4 kg
<b>Dimensions de l'unité</b>	60,0 La x 58,4 Pr x 84,5 Ha cm

NOTE: Les spécifications sont sujettes à modification sans préavis.

## INSTRUCTIONS D'INSTALLATION

### Avant d'utiliser votre appareil

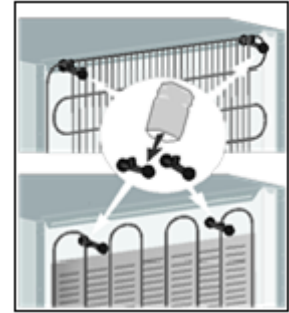
- Retirez l'emballage extérieur et intérieur.
- ATTENTION: Après avoir déballé, IL FAUT LAISSER l'appareil à la position verticale pendant au moins 2 heures pour permettre au lubrifiant et le réfrigérant à écouler dans le compresseur et se stabilisent. Ne pas le faire peut nuire à la performance et la durée de vie de cette unité.
- Retirer le bac à légumes, le bac d'égouttage et les étagères et les nettoyer et les surfaces intérieures de l'appareil avec de l'eau tiède à l'aide d'un chiffon doux.

### Installation du réfrigérateur-congélateur

- Placez l'appareil sur un plancher qui est assez solide pour supporter l'appareil quand il est entièrement chargé. Pour mettre à niveau l'unité, réglez les deux pieds de nivellement à l'avant.
- Les modèles peuvent être installés soit sur pied (autoportants), encastrés ou intégrés dans une enceinte. Lors de l'installation comme une unité autonome, laisser au moins 2 " (51mm) d'espace sur les côtés, en haut et à l'arrière de l'appareil pour permettre une bonne circulation d'air pour refroidir le compresseur et le condenseur. Même quand encastré ou intégré, l'appareil nécessite au moins 2 " de dégagement à l'arrière, 1/8" (3 mm) des deux côtés et 1/16 " (1,6 mm) dans la partie supérieure. Veillez à ce que les bouches d'aération à l'avant de l'appareil ne sont jamais couvertes ou bloquées en aucune manière.
- Cet appareil est livré avec des espaceurs qui doivent être montés sur le tube du réfrigérant à vous assurer qu'il y a suffisamment d'espace entre l'appareil et le mur.



- Éloignez l'appareil de la lumière directe du soleil et des sources de chaleur (four, chauffage, radiateur, etc.). La lumière solaire directe peut affecter le revêtement acrylique et les sources de chaleur peuvent augmenter la consommation électrique. Des températures ambiantes extrêmement froides peuvent également affecter la performance de l'appareil.
- Évitez de placer l'appareil dans les zones humides. Trop d'humidité dans l'air va provoquer la formation rapide du givre sur l'évaporateur, ce qui nécessite un dégivrage plus fréquent du compartiment congélateur.
- Branchez l'appareil dans une prise murale exclusive, correctement installée et mise à la terre. Toute question concernant l'alimentation et / ou mise à la terre doit être adressée à un électricien certifié ou à un centre de service autorisé.



## Connexion électrique

### AVERTISSEMENT

*Une mauvaise utilisation de la prise de terre peut entraîner un risque de choc électrique. Si le cordon d'alimentation est endommagé, le faire remplacer par le fabricant, son agent de service ou une personne qualifiée afin d'éviter un danger.*

Cet appareil doit être correctement mis à la terre pour votre sécurité. Le cordon d'alimentation de cet appareil est équipé d'une fiche à trois broches qui s'accouple avec des prises murales normalisées à trois broches pour minimiser le risque de choc électrique.

Ne pas en aucun cas couper ou enlever la troisième broche (terre) du cordon d'alimentation fourni. Pour votre sécurité, cet appareil doit être correctement mis à la terre.

Cet appareil nécessite une tension de 115/120 AC ~ 60Hz avec une prise électrique standard à la terre à trois broches. Faites vérifier la prise murale et le circuit par un électricien qualifié pour s'assurer que la prise est correctement mise à la terre. Quand une prise murale standard à 2 broches est rencontrée, il est votre responsabilité et obligation de la faire remplacer par une prise à 3 fiches mise à la terre.

Pour éviter toute blessure accidentelle, le câble doit être fixé derrière l'appareil et ne pas exposé ni ballant.

L'appareil doit toujours être branché dans sa propre prise de courant, dont la tension nominale correspond à l'étiquette apposée sur l'appareil. Cette offre la meilleure performance et évite une surcharge des circuits électriques qui pourrait provoquer un risque d'incendie par surchauffe. Ne jamais débrancher l'appareil en tirant sur le cordon d'alimentation. Toujours saisir fermement la fiche et retirez-la de la prise. Réparez ou remplacez immédiatement tous les cordons d'alimentation qui sont devenus usés ou endommagés. Ne pas utiliser un cordon qui présente des fissures ou une usure sur sa longueur ou à chaque extrémité. Lorsque vous déplacez l'appareil, veillez à ne pas endommager le cordon d'alimentation.

## Rallonge

Ne pas utiliser une rallonge avec cet appareil. Si le cordon d'alimentation est trop court, demandez à un technicien électricien ou technicien qualifié d'installer une prise près de l'appareil.

## Inversant l'ouverture de la porte :

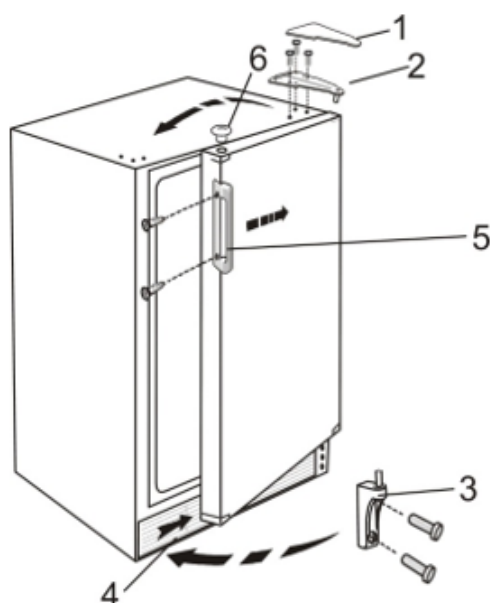
Si vous trouvez que la direction de l'ouverture de la porte de l'appareil est inconmode, vous pouvez la changer. Trous sur le côté opposé ont déjà été préparés à l'usine.

Cet appareil peut être ouvert à partir de la droite ou de la gauche. Par défaut, la charnière de porte est sur le côté droit. Si vous la préférez sur la gauche, s'il vous plaît suivre ces instructions:

1. Retirez le couvercle de la charnière supérieure de la porte et enlever les vis qui maintiennent la charnière supérieure.
2. Soulevez la charnière pour dégager l'axe d'articulation de la prise dans le haut de la porte.
3. Soulevez la porte haut et loin de libérer sa prise en bas de l'axe de la charnière.
4. Retirer les vis de la charnière inférieure.
5. Retirer les capuchons décoratifs du côté opposé et boucher les trous du côté d'origine avec les capuchons décoratifs.
6. Déplacez la charnière inférieure sur le côté opposé et serrer les vis. Utilisez des rondelles de blocage ou des écrous s'ils ont été installés dans l'installation d'origine.
7. Remplacez la porte sur l'axe de la charnière sur la charnière inférieure. Placez la charnière supérieure dans la porte.
8. Insérer les vis dans la charnière supérieure et serrer.
9. Vérifier le joint. Il ne devrait pas être froissé et devrait bien sceller.

## Installation de la poignée

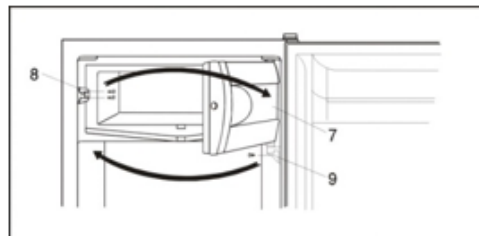
La porte a deux trous de vis sur chaque côté, vous permettant d'installer une poignée (incluse). Pour ce faire, aligner la poignée avec les trous de vis sur le côté que vous préférez. Fixer la poignée en place avec les vis fournies, puis couvrir les têtes de vis avec le joint de la poignée (inclus).



- 1 Couvercle de charnière supérieure
- 2 Charnière supérieure
- 3 Charnière inférieure
- 4 Plaque de protection
- 5 Poignée
- 6 Fermeture de l'angle avec trou

## Changeant le sens de l'ouverture de porte sur le compartiment à basse température :

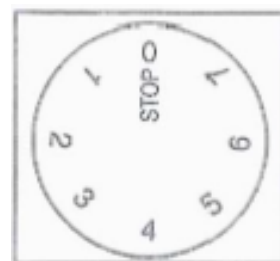
1. Dévissez l'élément de blocage et la charnière du compartiment à basse température et enlever la porte.
2. Boucher les trous avec des bouchons en plastique fournis.
3. Tourner la porte à 180 ° et la remplacer sur le côté opposé du compartiment à basse température. Fixer la charnière et l'élément de blocage de la porte (la position des trous est déjà disponible).



# FONCTIONNEMENT DE VOTRE APPAREIL

## Contrôle de la température

- Un système unique de double évaporateur refroidit séparément le réfrigérateur tout en gardant le congélateur à 5 ° F. (La glace et d'autres produits alimentaires dans le congélateur restent gelés et exempts des brûlures de congélation.)
- La température du réfrigérateur est contrôlée avec un bouton de thermostat situé à l'intérieur de l'unité, vers le coin supérieur droit. Tournez le bouton dans le sens horaire à partir du **STOP (0)** (*Arrêt*) position vers les chiffres plus élevés pour des températures plus froides. Des réglages plus élevés sur le bouton (de nombres plus élevés) indiquent des températures plus basses (de froid) dans le réfrigérateur.
- Sur les réglages les plus froids, les températures dans certains endroits du compartiment réfrigérateur peuvent descendre en dessous de 32 ° F. Utilisez plus élevés réglages du thermostat uniquement lorsque requis ou recommandé. Lorsque la température ambiante est normale, nous recommandons un réglage moyen.
- Les changements dans la température ambiante ont une incidence sur la température dans le compartiment réfrigérateur; par conséquent choisir un réglage approprié du bouton du thermostat, en fonction des conditions ambiantes.
- Dans la position **STOP (0)**, l'appareil ne fonctionne pas (le système de refroidissement est éteint), mais l'alimentation ne soit pas interrompue (la lumière allume quand vous ouvrez la porte du réfrigérateur).
- La température dans le compartiment réfrigérateur dépend aussi de combien de fois que vous ouvrez la porte.
- Dans tous les petits réfrigérateurs et congélateurs sans ventilateurs intérieurs, les températures sont plus froides près du fond, et parfois près de l'arrière. Placez le contenu en conséquence. Il est préférable de ne pas utiliser ces unités presque vides. Si les températures sont erratiques, essayez de mettre quelques bouteilles d'eau ou des paquets de congélateur à l'intérieur pour créer une charge pour le compresseur.



**REMARQUE :**

- Pour le meilleur stockage, veillez à ne pas surcharger et assurez-vous que la porte du congélateur se ferme complètement.
- Les étagères en verre sont réglables. Ces étagères arrêtent un pouce devant le mur du fond, ce qui est essentiel pour l'écoulement de l'air et le bon fonctionnement du système de dégivrage automatique. Ne pas bloquer ces lacunes.
- L'éclairage intérieur de cet appareil est contrôlé par un commutateur de type à piston, de sorte que la lumière allume automatiquement lorsque la porte du réfrigérateur est ouverte.
- Si l'appareil est débranché, a perdu l'alimentation, ou est désactivé, vous devez attendre 3 à 5 minutes avant de redémarrer l'unité. Si vous essayez de redémarrer avant ce délai, l'unité ne démarre pas.

**Dégivrage de votre appareil**

Cet appareil combine un congélateur de dégivrage manuel et un réfrigérateur de dégivrage automatique. Le compartiment réfrigérateur se dégivre, mais quand du givre se forme à ½ pouces dans le compartiment congélateur, il est nécessaire de dégivrer attentivement selon cette procédure:

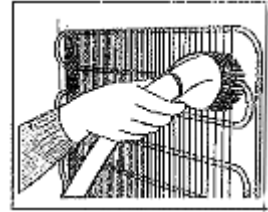
1. Enlevez le contenu de l'ensemble de l'unité, en prenant soin que les aliments congelés ne commencent à décongeler. Réglez le thermostat sur **STOP (0)**.
2. Débranchez l'appareil. Le dégivrage est accéléré si les portes sont laissées ouvertes.
3. La fonte des glaces se déversent dans le bac d'égouttage au-dessous du compartiment congélateur. Le vider que nécessaire.
4. Utilisez une éponge ou un papier absorbant pour éliminer l'eau et la fonte des glaces du plancher du congélateur. Après le givre ou de glace a fondu, sécher l'intérieur du compartiment congélateur à fond.
5. Redémarrez l'appareil en le branchant et en réglant le thermostat à la position désirée. Une fois qu'il est froid, remettre le contenu aux sections de congélation et de réfrigération.

**ATTENTION :** *Ne pas utiliser d'eau bouillante ou un dispositif électrique comme un sèche-cheveux pour aider à accélérer le processus de dégivrage, car cela pourrait endommager les pièces en plastique de l'unité. En outre, ne jamais utiliser un instrument pointu ou métallique pour enlever le givre car cela pourrait endommager les serpentins de refroidissement et annulera la garantie. Nous vous recommandons d'utiliser un grattoir en plastique.*

# ETRETIEN ET MAINTENANCE

## Nettoyage de votre appareil :

1. Débranchez l'appareil, tourner le thermostat sur **STOP (0)** et retirer tous les contenus, y compris les étagères, bac d'égouttage et bac à légumes.
2. Lavez les surfaces intérieures avec une solution d'eau tiède et de vinaigre. Essuyer avec un chiffon doux et propre.
3. Lavez les étagères et bacs avec une solution de détergent doux, puis rincez et séchez soigneusement.
4. Lavez l'extérieur avec de l'eau chaude et un détergent liquide doux. Rincez bien et séchez avec un chiffon doux et propre.
5. Essorez l'excès d'eau de l'éponge ou chiffon avant de nettoyer la zone du contrôle de la température ou des pièces électriques.
6. De temps en temps, essuyez le condenseur sur la paroi arrière avec une brosse douce non métallique ou un aspirateur.
7. Après avoir nettoyé l'appareil, rebranchez-le à l'alimentation, réinitialiser le thermostat et retourner tous les contenus à leur place.



**ATTENTION** : Ne pas débrancher l'appareil pourrait entraîner un choc électrique ou de blessure.

## Panne de courant

La plupart des pannes de courant sont corrigées en quelques heures et ne devraient pas affecter la température de votre appareil si vous réduisez le nombre de fois que la porte est ouverte. Si l'alimentation va être hors service pendant une période de temps plus longue, vous devez prendre les mesures appropriées pour protéger vos articles froids et congelés.

## Vacances

Pendant de longues absences, retirer tous les contenus. Débranchez l'appareil, nettoyez-le et laissez les portes ouvertes légèrement pour éviter la formation possible de condensation, de moisissure ou d'odeurs.

## Déplacement de votre appareil

1. Retirez le contenu.
2. Fixez toutes les pièces détachées à l'intérieur de votre appareil.
3. Tournez les pieds de nivellement jusqu'à la base pour éviter les dommages.
4. Scotchez la porte fermée.
5. Assurez-vous que l'appareil reste bloqué en position verticale pendant le transport.

## Conseils d'économie d'énergie

- L'appareil doit être situé dans le quartier le plus frais de la pièce, loin des appareils produisant de la chaleur ou des conduits de chauffage et des rayons du soleil.
- Essayez de ne pas ouvrir la porte trop souvent, surtout quand le temps est humide et chaud. Une fois que vous ouvrez la porte, fermez-le dès que possible.
- Vérifiez de temps en temps si l'appareil est suffisamment ventilé (circulation d'air suffisant à l'arrière de l'appareil).

- Réglez le thermostat à un réglage plus bas dès que possible (dépend de la façon dont l'appareil est chargé, température ambiante, etc.).
- Avant de charger des articles dans l'unité, assurez-vous qu'ils ont refroidi à température ambiante.
- Une couche de givre et de glace augmente la consommation d'énergie, donc dégivrer le congélateur dès que la couche est de 1/2 " d'épaisseur.

## DÉPANNAGE

Lors de l'utilisation de cet appareil, vous pouvez rencontrer certains problèmes résultant dans de nombreux cas d'une mauvaise manipulation et peut facilement être éliminé.

### ***L'appareil ne fonctionne pas après avoir été connecté à la source d'alimentation.***

- L'appareil ne fonctionne pas après avoir été connecté à la source d'alimentation.

### ***Le compresseur fonctionne continuellement.***

- La porte a été ouverte fréquemment ou elle a été laissée ouverte trop longtemps.
- La porte est mal fermée (la porte peut s'affaisser, ou le joint peut être sale ou endommagé).
- L'alimentation électrique a été interrompue pendant une longue période de temps.
- L'appareil peut avoir été surchargé avec des articles ci-dessus la température ambiante.
- Il peut y avoir une ventilation inadéquate du compresseur et du condenseur. (Soyez sûr qu'il y a une circulation d'air suffisant à l'arrière de l'appareil et essuyer la poussière du condenseur.)

### ***Bruit***

Refroidissement dans les appareils de réfrigération est activé par le système de réfrigération avec compresseur, qui produit le bruit. Comment l'appareil est bruyant dépend de l'endroit où il est placé, comment il est utilisé et quel âge l'appareil est.

- Pendant le fonctionnement du compresseur, le bruit de liquide est émis et lorsque le compresseur ne fonctionne pas, le flux de réfrigérant est entendu. Ceci est une condition normale et n'a aucune influence sur la durée de vie de l'appareil.
- Après le démarrage de l'appareil, le fonctionnement du compresseur et le débit de réfrigérant peut être plus fort. Cela ne signifie pas que quelque chose cloche. Peu à peu, le bruit est réduit.
- Parfois un bruit plus fort se fait entendre, ce qui est inhabituel pour l'appareil. Ce bruit est souvent la conséquence d'un mauvais positionnement de l'unité. (L'appareil doit être placé et nivelé fermement sur une base solide et il ne doit pas toucher le mur ou armoires debout à côté de lui.)

# REMARQUES

# GARANTIE LIMITÉE

## UN AN DE GARANTIE LIMITÉE

Dans les 48 États américains contigus, pendant un an à partir de la date d'achat, lorsque cet appareil est utilisé et entretenu conformément aux instructions jointes à ou fournies avec le produit, le garant paiera pour les pièces spécifiées en usine et la main-d'œuvre pour corriger les vices de matériaux ou de fabrication. Le service doit être fourni par une compagnie de service désignée. En dehors des 48 États, toutes les pièces sont garanties pendant un an pour les défauts de fabrication. Les pièces en plastique, tiroirs et armoires sont garanties avoir été fabriquées conformément aux normes acceptées dans le commerce et ne sont pas couvertes contre les dommages pendant la manipulation ou la rupture.

## GARANTIE DE 5 ANS DU COMPRESSEUR

1. Le compresseur est couvert pendant 5 ans.
2. Le remplacement n'inclut pas la main-d'œuvre.

## *LE GARANT NE SERA PAS DÉDOMMAGÉ POUR LES POINTS SUIVANTS :*

1. Les appels de service pour rectifier l'installation de votre appareil, pour vous indiquer comment utiliser votre appareil, remplacer ou réparer des fusibles ou rectifier le câblage ou la plomberie.
2. Les appels de service pour réparer ou remplacer des tiroirs cassés. Les pièces consommables (tels que des filtres) sont exclues de la couverture de la garantie.
3. Les dommages résultant d'un accident, modification, usage impropre ou abusif, incendie, inondation, actes de Dieu, mauvaise installation, une installation non-conforme aux codes d'électricité ou de plomberie, ou l'utilisation de produits non approuvés par le garant.
4. Les pièces de rechange ou les frais de réparation pour les appareils utilisés hors des États-Unis.
5. Les réparations aux pièces ou systèmes résultant de modifications non autorisées apportées à l'appareil.
6. Les frais de déplacement et de transport pour le service produit dans des endroits hors des zones approuvées.
7. La livraison et la réinstallation de votre appareil s'il est installé dans un endroit inaccessible ou n'est pas installé conformément aux instructions d'installation.

## EXCLUSION DE GARANTIES IMPLICITES - LIMITATION DES RECOURS

LE SEUL ET UNIQUE RECOURS DU CLIENT EN VERTU DE CETTE GARANTIE LIMITÉE EST LA RÉPARATION DU PRODUIT COMME PRÉSENTÉE. GARANTIE IMPLICITE, Y COMPRIS LES GARANTIES DE QUALITÉ MARCHANDE OU D'ADEQUATION À UN USAGE PARTICULIER, SONT LIMITÉES À UN AN. LE GARANT NE SERA PAS RESPONSABLE DES DOMMAGES DIRECTS OU INDIRECTS. CERTAINS ÉTATS NE PERMETTENT PAS L'EXCLUSION OU LA LIMITATION DES DOMMAGES DIRECTS OU INDIRECTS, OU LA LIMITATION DE LA DURÉE DES GARANTIES DE QUALITÉ MARCHANDE OU D'ADAPTATION, DE SORTE QUE CES EXCLUSIONS OU LIMITATIONS PEUVENT NE PAS VOUS TOUCHER. CETTE GARANTIE VOUS DONNE DES DROITS SPÉCIFIQUES ET VOUS POUVEZ AUSSI AVOIR D'AUTRES DROITS QUI PEUVENT VARIER D'UN ÉTAT À L'AUTRE.



**AVERTISSEMENT :** Ce produit peut vous exposer à des produits chimiques, notamment le nickel (métallique), reconnu par l'État de Californie pour provoquer le cancer.

Pour plus d'informations, allez à [www.P65Warnings.ca.gov](http://www.P65Warnings.ca.gov)

Remarque : Le nickel est un composant de tous les acier inoxydable et de certains autres composants métalliques.

**FELIX STORCH, INC.**  
770 Garrison Avenue  
Bronx, NY 10474  
Télé. : (718) 893-3900  
Fax : (844) 478-8799  
[www.summitappliance.com](http://www.summitappliance.com)

**SUMMIT**  
A P P L I A N C E

Pour les pièces et la commande d'accessoires, le dépannage et des conseils de service, visitez le site :  
[www.summitappliance.com/support](http://www.summitappliance.com/support)