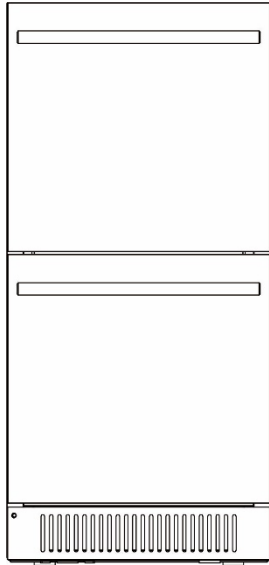
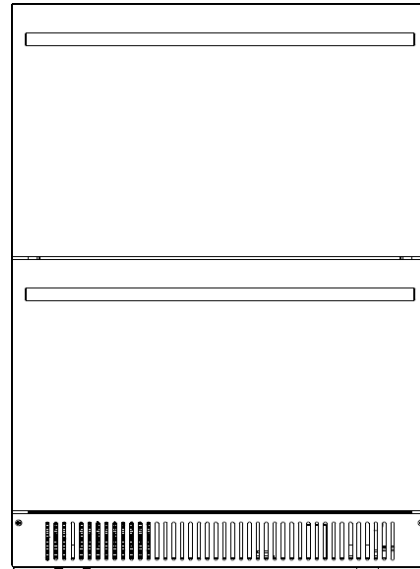




FROST-FREE DRAWER REFRIGERATOR



**ADRD15
ADRD15OS
SPR2D15
FF152D**



ADRD24

User Manual

BEFORE USE, PLEASE READ AND FOLLOW ALL SAFETY RULES AND OPERATING INSTRUCTIONS.

Write Model and Serial Numbers here:

Model No.: _____

Serial No.: _____

**Felix Storch, Inc.
An ISO 9001:2015 registered company
770 Garrison
Bronx, New York 10474
www.summitappliance.com**

TABLE OF CONTENTS

Appliance Safety	3
Important Safeguards	3-4
Location of Parts	5
Installation Instructions	6-10
<i>Before Using your Appliance</i>	6
<i>Installation of your Appliance</i>	6
<i>Electrical Connection</i>	7
<i>Extension Cord</i>	7
<i>Anti-Tip Bracket Installation</i>	8
<i>Drawer Divider Installation</i>	9-10
<i>Installing the Stainless Steel Handles</i>	11
<i>Full Overlay Panel Installation Instructions</i>	11
<i>Stainless Steel Kick Plate Installation Instructions</i>	12
Operating your Appliance	13-15
<i>Control Panel for ADRD24</i>	13
<i>Setting the Temperature Control for ADRD24</i>	13
<i>Interior Light</i>	13
<i>Sabbath Mode for ADRD24</i>	14
<i>Control Panel for ADRD15</i>	14
<i>Setting the Temperature Control for ADRD15</i>	14
<i>Interior Light</i>	14
<i>Sabbath Mode for ADRD15</i>	15
<i>Temperature Memory Function</i>	15
<i>Defrosting</i>	15
<i>Warning System</i>	15
Care and Maintenance	16
<i>Cleaning your Appliance</i>	16
<i>Power Failure</i>	16
<i>Vacations</i>	16
<i>Moving your Appliance</i>	16
<i>Energy-Saving Tips</i>	16
Troubleshooting	17-18
Limited Warranty	19
French Version of Manual	20-38

APPLIANCE SAFETY

Your safety and the safety of others are very important.

We have provided many important safety messages in this manual and on your appliance. Always read and obey all safety messages.



This is the Safety Alert Symbol. The symbol alerts you to potential hazards that can kill or injure you and others. All safety messages will follow the Safety Alert Symbol and either the word DANGER or WARNING.



DANGER means that failure to heed this safety statement may result in severe personal injury or death.



All safety messages will alert you about the potential hazard, tell you how to reduce the chance of injury, and let you know what can happen if the instructions are not followed.

IMPORTANT SAFEGUARDS



Before the appliance is used, it must be properly positioned and installed as described in this manual, so read the manual carefully. To reduce the risk of fire, electrical shock or injury when using the appliance, follow basic precautions, including the following:



- Plug into a grounded 3-prong outlet, do not remove grounding prong, do not use an adapter, and do not use an extension cord.
- Replace all panels before operating.
- It is recommended that a separate circuit serving only your appliance be provided. Use receptacles that cannot be turned off by a switch or pull chain.
- Never clean appliance parts with flammable fluids. These fumes can create a fire hazard or explosion. And do not store or use gasoline or other flammable vapors and liquids in the vicinity of this or any other appliance. The fumes can create a fire hazard or explosion.
- Do not connect or disconnect the electric plug when your hands are wet.
- Unplug the appliance or disconnect power before cleaning or servicing. Failure to do so can result in electrical shock or death.
- Do not attempt to repair or replace any part of your appliance unless it is specifically recommended in this manual. All other servicing should be referred to a qualified technician.
- This appliance is CFC- and HFC-free and contains small quantities of Isobutane (R600a) which is environmentally friendly, but flammable. It does not damage the ozone layer, nor does it increase the greenhouse effect. Care must be taken during transportation and setting up of the appliance that no parts of the cooling system are damaged. Leaking coolant can ignite and may damage the eyes.

- In the event of any damage:
 - Avoid open flames and anything that creates a spark,
 - Disconnect from the power source,
 - Air the room in which the appliance is located for several minutes, and
 - Contact the Service Department for advice.
- The more coolant there is in an appliance, the larger the room in which it should be installed. In the event of a leakage, if the appliance is in a small room, there is the danger of combustible gases building up. For every ounce of coolant, at least 325 cubic feet of room space is required. The amount of coolant in the appliance is stated on the data plate inside the appliance. It is hazardous for anyone other than an Authorized Service Person to carry out servicing or repairs to this appliance.
- Take serious care when handling, moving, and using the appliance to avoid either damaging the refrigerant tubing or increasing the risk of a leak.
- Replacing component parts and servicing shall be done by factory-authorized service personnel so as to minimize the risk of possible ignition due to incorrect parts or improper service.

WARNING

FOLLOW WARNING CALLOUTS BELOW ONLY WHEN APPLICABLE TO YOUR MODEL

- Use two or more people to move and install appliance. Failure to do so can result in back or other injury.
- To ensure proper ventilation for your appliance, the front of the appliance must be completely unobstructed. Choose a well-ventilated area with temperatures above 50°F (10°C) and below 100°F (38°C).
- The appliance should not be located next to ovens, grills or other sources of high heat.
- The appliance must be installed with all electrical, water and drain connections in accordance with state and local codes. A standard electrical supply (115 V AC only, 60 Hz), properly grounded in accordance with the National Electrical Code and local codes and ordinances, is required.
- Do not kink or pinch the power supply cord of the appliance.
- The size of the fuse (or circuit breaker) should be 15 amperes.
- It is important that the appliance be leveled in order to work properly. You may need to make several adjustments to level it.
- All installations must be in accordance with local plumbing code requirements.
- Make certain that the pipes are not pinched, kinked or damaged during installation.
- Check for leaks after connection.
- Never allow children to operate, play with or crawl inside the appliance.
- Do not use solvent-based cleaning agents or abrasives on the interior. These cleaners may damage or discolor the interior.
- Use this appliance only for its intended purpose as described in this User Manual.
- Keep fingers out of the “pinch point” areas. Clearances between the drawers and cabinet are necessarily small. Be careful closing drawers when children are in the area.

DANGER

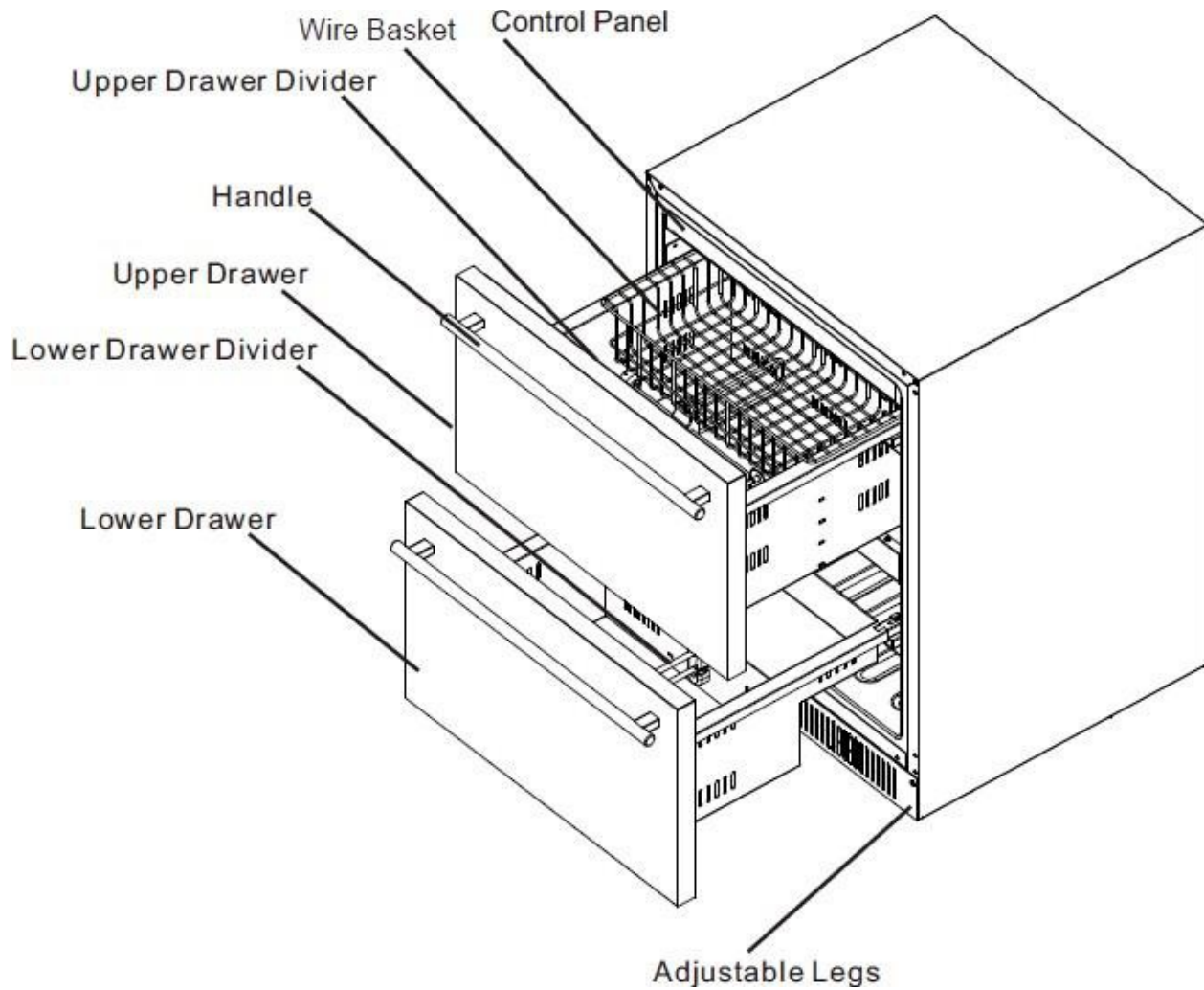
Risk of child entrapment!

Child entrapment and suffocation are not problems of the past. Junked or abandoned appliances are still dangerous, even if they will “just sit for a few days”.

Leave the shelves in place so that children may not easily climb inside.

- SAVE THESE INSTRUCTIONS -

LOCATION OF PARTS



NOTES:

- Refrigerator models ADRD24 and ADRD15 are designed for outdoor as well as indoor use. They are equipped with a reinforced exterior and a power cord made to withstand outdoor weather.
- Due to the limited width of ADRD15, there are no drawer dividers for this model.

INSTALLATION INSTRUCTIONS

Before Using your Appliance

- Remove the exterior and interior packing.
- Before connecting the appliance to the power source, let it stand upright for approximately 2 hours. This will reduce the possibility of a malfunction in the cooling system from handling during transportation.
- Clean the interior surface with lukewarm water, using a soft cloth.
- Install the handles on the drawers, if they are not already attached.

Installation of your Appliance

The appliance is designed for built-in, recessed, or free-standing installation

CAUTION: This appliance is not designed for the storage of medicine or other medical products.

- Place your appliance where the floor is strong enough to support it when it is fully loaded. To level the appliance, adjust the front leveling legs.
- For free-standing installation, 5" (127mm) of space between the back and sides of the appliance, and 4" (102mm) at the top, are suggested. This allows the proper air circulation to cool the compressor and condenser. For built-in installation, keep ¼" (6.35mm) of space between the top and sides of the appliance, and 2" (51mm) at the rear. Make sure the air vent at the front of the appliance is never covered or blocked in any way.
- Plug the appliance into an exclusive, properly grounded wall outlet.

NOTE: It is recommended that you do not install the appliance near an oven, radiator, or other heating source. Heat sources may increase electrical consumption, and direct sunlight may affect the outer coating. Don't install in a location where the temperature will fall below 50°F (10°C). For best performance, do not install the appliance behind a cabinet door or block the base grille.

Electrical Connection



WARNING

Improper use of the grounded plug can result in the risk of electrical shock. If the power cord is damaged, have it replaced by a qualified electrician or an authorized service center.

This appliance should be properly grounded for your safety. The power cord of this appliance is equipped with a three-prong plug, which mates with standard three-prong wall outlets to minimize the possibility of electrical shock.

Do not, under any circumstances, cut or remove the third (ground) prong from the power cord supplied. For personal safety, this appliance must be properly grounded. Any questions concerning power and/or grounding should be directed toward a certified electrician or an authorized service center.

This appliance requires a standard 115/120 Volt AC ~60Hz three-prong grounded electrical outlet. Have the wall outlet and circuit checked by a qualified electrician to make sure the outlet is properly grounded. When a standard 2-prong wall outlet is encountered, it is your responsibility and obligation to have it replaced with a properly grounded 3-prong wall outlet.

To prevent accidental injury, the cord should be secured behind the appliance and not left exposed or dangling.

The appliance should always be plugged into its own individual electrical outlet, which has a voltage rating that matches the rating label on the appliance. This provides the best performance and prevents overloading house wiring circuits, which could cause a fire hazard from overheating. Never unplug the appliance by pulling on the power cord. Always grip the plug firmly and pull straight out from the receptacle. Immediately repair or replace all power cords that have become frayed or otherwise damaged. Do not use a cord that shows cracks or abrasion damage along its length or at either end. When moving the appliance, be careful not to damage the power cord.

Extension Cord

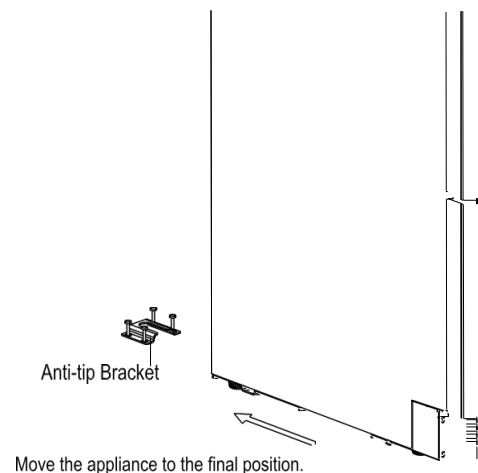
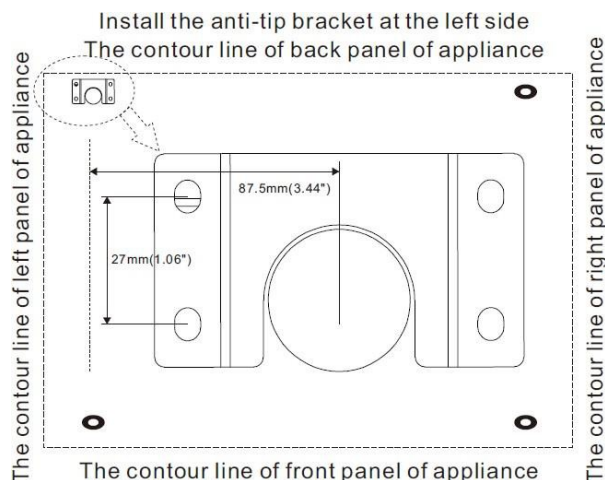
Due to potential safety concerns under certain conditions, it is strongly recommended that you do not use an extension cord with this appliance. However, if you must use an extension cord, it is absolutely necessary that it be a UL/CUL-Listed, 3-wire grounding type appliance extension cord having a grounding type plug and outlet and that the electrical rating of the cord be 115 volts and at least 10 amperes.

Anti-Tip Bracket Installation

To reduce the risk of tipping the appliance by abnormal usage or improper loading, the appliance must be secured by properly installing the anti-tip device packed with the appliance.

1. Place the anti-tip bracket on the floor as shown in the figure below. The anti-tip bracket must be installed at the left side.
2. Mark the locations of the 4 holes of the anti-tip bracket on the floor.
3. Use a 11/50" masonry drill bit, and insert plastic anchors.
4. Secure the anti-tip bracket to the floor, using screws.
5. Slide appliance into position, and make sure the leg engages the anti-tip bracket.

NOTE: If the appliance is relocated, the bracket must be removed and installed in the new location.



Drawer Divider Installation (for ADRD24)

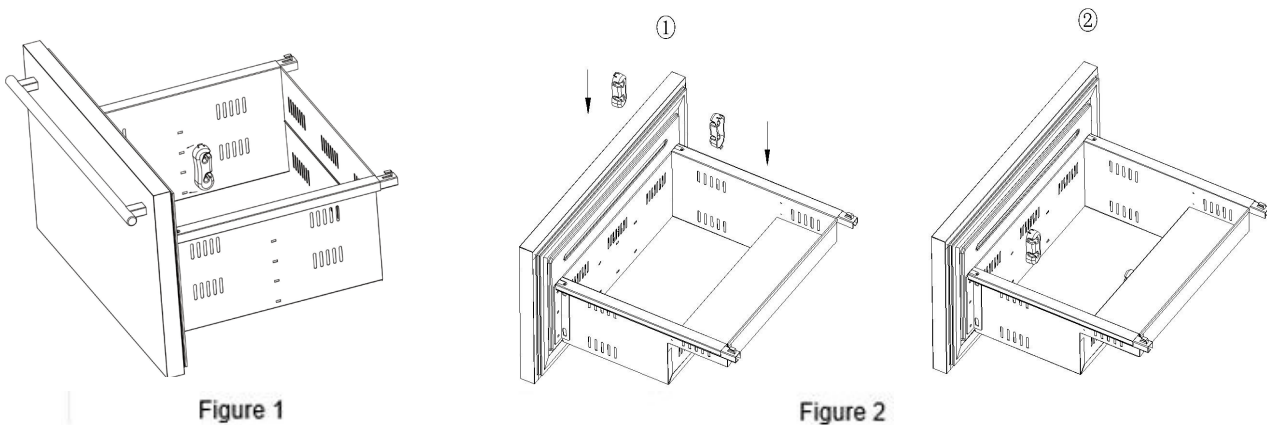
In order to make better use of the drawer to store different drinks or fruits, the ADRD24 model is equipped with two sets of drawer dividers.

1. Please find the divider accessories in the accessory plastic bag, the details of the accessories are as follows:

Divider permanent seat (Left)	2pcs
Divider permanent seat (Right)	2pcs
Movable divider (2 rotators, 2 U-shaped tubes)	2sets
Upper drawer S.S. pipe	2pcs
Lower drawer S.S. pipe	2pcs

2. Please follow the steps in the figure to install.

Step 1: To install 1pc right and 1pc left divider permanent seat on the two side on upper drawer (figure 1) and lower drawer (figure 2)



Step 2: To assemble the movable divider, the parts that need to be prepared are 2pcs upper drawer pipe, 2 U-shaped tubes and 2 rotators, please following below figure 3.

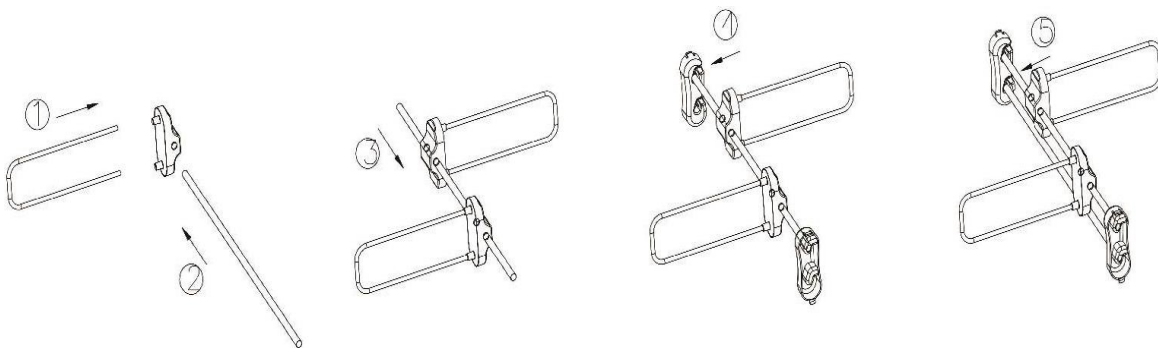
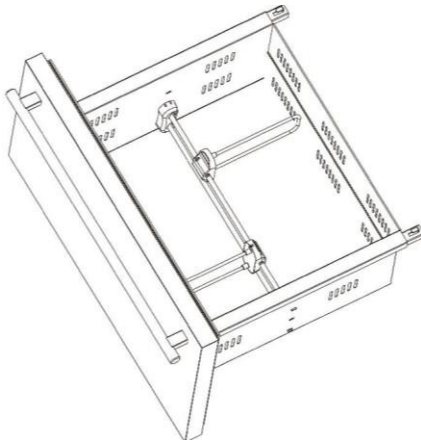


Figure 3

Step 3: Complete assemble (Upper drawer)



Step 4: To assemble the divider on lower drawer, please see below figure 4

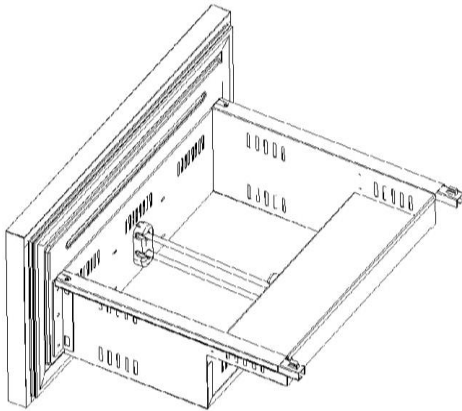
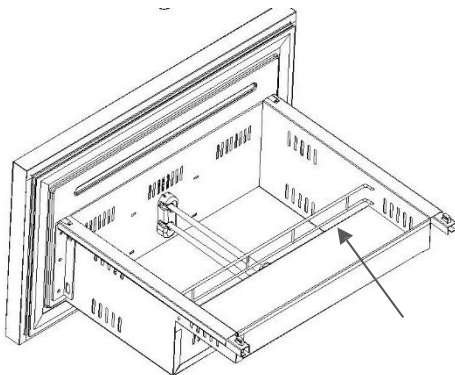


Figure 4

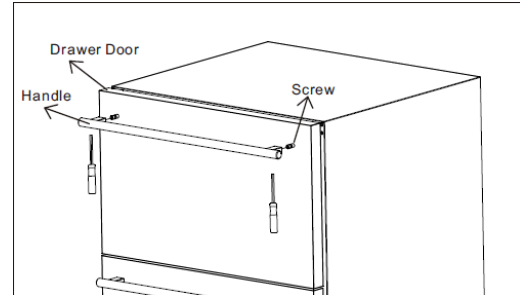
Step 5: Install S.S. tube to prevent bottles placed in the lower drawer from falling during opening and closing the door



Installing the Stainless Steel Handles

This appliance includes two stainless steel handles that are not required to operate the appliance. To install the handles, follow the instructions below:

1. Remove the door gasket.
2. Install the handle with the screws provided. DO NOT over-tighten as this will cause damage to the stainless steel door surface.
3. Replace the door gasket.



Full Overlay Panel Installation Instructions (ADRD24)

This model is designed for a field-installed overlay panel, which can cover the stainless steel to give a built-in appearance. The overlay panel and appropriate hardware are not included with the appliance, and you must install the panel yourself.

Please follow the instructions below for installation:

- Remove any items stored inside the drawers, and take the drawers out.
- Peel off the gasket, and remove the handle by removing the two screws that attach the handle to the door.
- Drill the 8 holes shown by using a 9/50" drill bit on the 4 sides of drawer door front. (Fig.2)
- Cut the overlay panels with 3/4" thickness to the following dimensions: 23.34" x 14.17"(WxH).
- If reusing the handles that came with the appliance, drill two holes with diameter 9/50" in the overlay panel.
- If user-supplied handles will be used, attach the handles to the overlay panels by using the flat head screws and drive the screws flush with the panels.
- Attach the handle and overlay panel together to the drawer face using 2 M4x45 screws and through the 2 existing holes on the door face. Then attach the overlay panel to the drawer face using 8 M4x45 screws and through 8 existing holes inside the door groove. (Fig. 3)
- Attach the overlay panel to the drawer face through the existing holes inside the door groove, using the 8 M4x45 screws.
- Peel back the gaskets, then align the left and right side channels with the tracks in the cabinet. Ensuring an even track engagement on both sides, gently push the drawer into the cabinet until it stops.

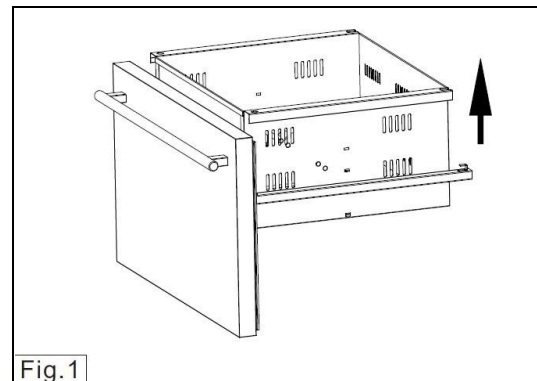


Fig.1

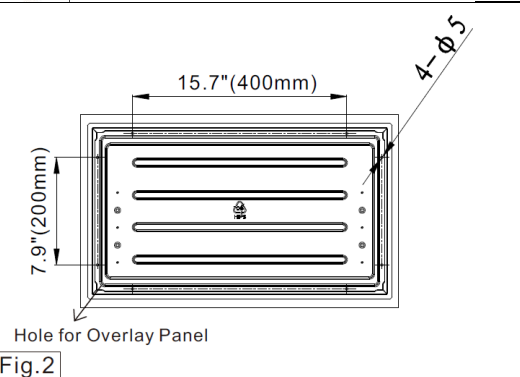


Fig.2

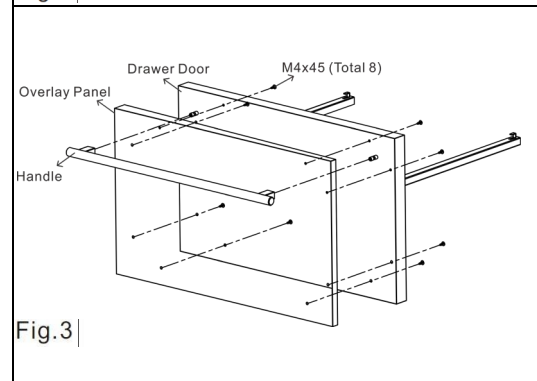


Fig.3

Full Overlay Panel Installation Instructions (ADRD15)

This model is designed for a field-installed overlay panel, which can cover the stainless steel to give a built-in appearance. The overlay panel and appropriate hardware are not included with the appliance, and you must install the panel yourself.

Please follow the instructions below for installation:

- Remove any items stored inside the drawers, and take the drawers out.
- Peel off the gasket, and remove the handle by removing the two screws that attach the handle to the door.
- Drill the 8 holes shown by using a 9/50" drill bit on the 4 sides of drawer door front. (Fig.2)
- Cut the overlay panels with 3/4" thickness to the following dimensions: 14.88" x 14.17"(HxW).
- If reusing the handles that came with the appliance, drill two holes with diameter 9/50" in the overlay panel.
- If user-supplied handles will be used, attach the handles to the overlay panels by using the flat head screws and drive the screws flush with the panels.
- Attach the handle and overlay panel together to the drawer face using 2 M4x45 screws and through the 2 existing holes on the door face. Then attach the overlay panel to the drawer face using 8 M4x45 screws and through 8 existing holes inside the door groove. (Fig. 3)
- Attach the overlay panel to the drawer face through the existing holes inside the door groove, using the 8 M4x45 screws.
- Peel back the gaskets, then align the left and right side channels with the tracks in the cabinet. Ensuring an even track engagement on both sides, gently push the drawer into the cabinet until it stops.

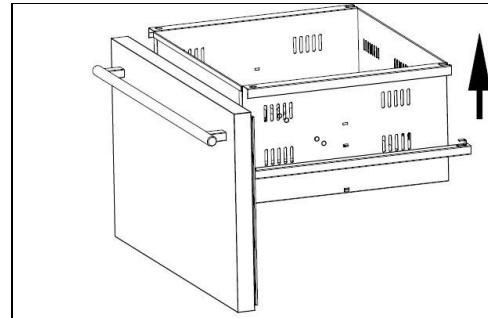


Fig.1

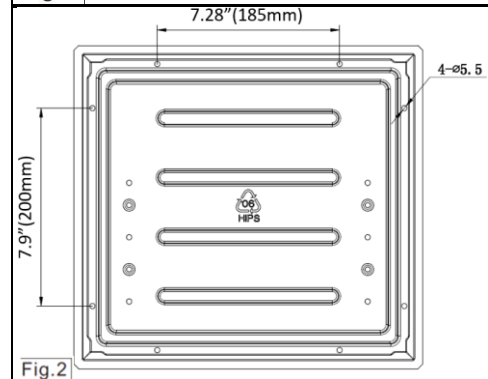


Fig.2

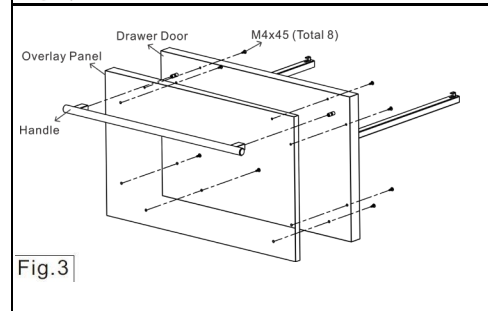
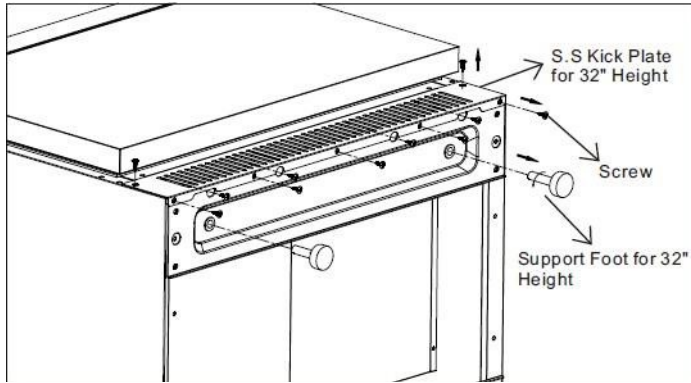


Fig.3

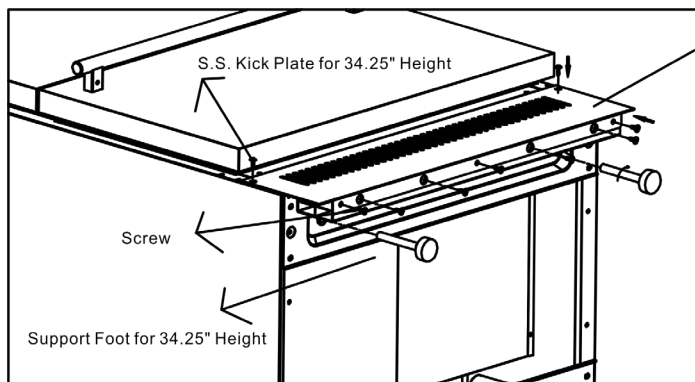
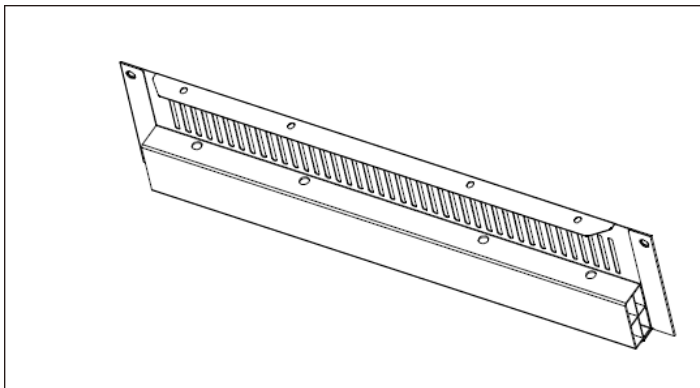
Stainless Steel Kick Plate Installation Instructions

This model is designed for a 32" or 34.25" height. There are two stainless steel kick plates included. The 32" height is standard for this appliance. If the height is changed to 34.25", another kick plate must be installed. To install kick plate for 34.25" height, please follow the instructions below:

1. Remove any items stored inside the drawers.
2. Unplug the appliance.
3. Lay a blanket or something soft down on the floor, and carefully lay the appliance down on its back side.
4. Remove kick plate for the 32" height by removing the two supporting feet and screws.



5. Reusing the original screws, install the kick plate and supporting feet for 34.25" height,



6. Stand the appliance upright, move into an appropriate position, and ensure the appliance is level.

OPERATING YOUR APPLIANCE

Install the appliance in a place where the ambient temperature is between 50°F and 100°F (10° to 38°C), and ideally about 77°F (25°C). If the ambient temperature is above or below the recommended temperatures, the interior temperatures may fluctuate, and the expected operating temperature may not be reached.

Control Panel for ADRD24





NOTE: Pressing the **ON/OFF** key once can switch off the audible alarm when the alarm is on.


Setting the Temperature Control for ADRD24

- The temperature preset at the factory is 38°F or 3°C.
- The range of set temperatures is from 34°F to 43°F or 1°C to 6°C.
- Set the temperature by pressing the **SETTING** symbol and then pressing the **UP** and **DOWN** symbols. When you press the **SETTING** symbol for the first time, the LED readout will show the last set temperature.
- The temperature will increase by 1°C/1°F each time you press the **UP** symbol, and will decrease by 1°C/1 °F each time you press the **DOWN** symbol.
- Press the **SETTING** symbol to view the set temperature at any time. The set temperature will flash in the display window for 5 seconds. After 5 seconds, the actual temperature inside the appliance will reappear in the display window.

Interior Light

- The interior light makes it easy to view your items. Pressing the **LIGHT** symbol toggles between 2 modes of operation for the internal lights: functional (default) mode and showcase mode.
- When using functional (default) mode, the lights will turn on, and the LCD screen will show  only when a drawer is open.
- When using showcase mode, the LCD screen will show  and the lights will be on whether or not the drawer is open. To use showcase mode, press and hold the **LIGHT** symbol for 3 seconds to enter showcase mode. Press and hold for 3 seconds to exit this mode.

Sabbath Mode for ADRD24

- Sabbath mode is available for the observance of certain religious holidays. This mode turns off the displays, interior light, and audible alarms and prevents them from turning on again. Normal cooling operations will still take place.
- To initiate Sabbath mode, press the **LIGHT** and **SETTING** symbols at the same time and hold for at least 3 seconds. The LCD screen will flash  for 3 seconds and confirm the Sabbath mode is ON.
- Sabbath mode can be cancelled by repeating the above process. Sabbath Mode will automatically turn off after 96 hours. If the power goes off, when it is recovered, Sabbath Mode will turn off.

Control Panel for ADRD15





NOTE: Pressing the **ON/OFF** key once can switch off the audible alarm when the alarm is on.


Setting the Temperature Control for ADRD15

- The temperature preset at the factory is 38°F or 3°C.
- The range of set temperatures is from 34°F to 43°F or 1°C to 6°C.
- Set the temperature by pressing the **UP** and **DOWN** symbols.
- The temperature will increase by 1°C/1°F each time you press the **UP** symbol, and will decrease by 1°C/1 °F each time you press the **DOWN** symbol. The set temperature will flash in the display window for 5 seconds. After 5 seconds, the actual temperature inside the appliance will reappear in the display window.
- Press both the **UP** and **DOWN** symbols together and hold for 3 seconds to change the temperature display from Celsius to Fahrenheit or from Fahrenheit to Celsius

Interior Light

- The interior light makes it easy to view your items. Pressing the **LIGHT** symbol toggles between 2 modes of operation for the internal lights: functional (default) mode and showcase mode.
- When using functional (default) mode, the lights will turn on, and the LCD screen will show  only when a drawer is open.
- When using showcase mode, the LCD screen will show  and the lights will be on whether or not the drawer is open. To use showcase mode, press and hold the **LIGHT** symbol for 3 seconds to enter showcase mode. Press and hold for 3 seconds to exit this mode.

Sabbath Mode for ADRD15

- Sabbath mode is available for the observance of certain religious holidays. This mode turns off the displays, interior light, and audible alarms and prevents them from turning on again. Normal cooling operations will still take place.
- To initiate Sabbath mode, press the **LIGHT** and **UP** symbols at the same time and hold for at least 3 seconds. The LCD screen will flash  for 3 seconds and confirm the Sabbath mode is ON.
- Sabbath mode can be cancelled by repeating the above process. Sabbath Mode will automatically turn off after 96 hours. If the power goes off, when it is recovered, Sabbath Mode will turn off.

Temperature Memory Function

In the event of a power interruption (power surge, breaker switch, etc.), the appliance can remember the previous temperature settings, and when power is recovered, the cabinet temperature will return to the same set temperature as before the power went off.


Defrosting

Under normal operating conditions, the appliance does not require manual defrosting. The evaporator behind the rear wall of the appliance defrosts automatically. The condensate collects in the drainage channel behind the rear wall of the appliance and flows through the drainage hole into the drip tray by the compressor where it evaporates.







NOTE: Frost may accumulate on the evaporator if the appliance is repeatedly opened in high heat or high humidity locations.

Warning System

Door Opening Alarm

If a drawer has been left open for more than 5 minutes, the LCD screen will display  and beep 3 times every 5 seconds. Press any key, or close the door to stop the alarm.

Temperature Alarm

- **Low temperature alarm:** When interior temperature is lower than 28°F/-2°C for over 3 hours, the low temperature alarm will beep and the left side of LCD screen will display   . Press any key to stop the beeping alarm.
- **High temperature alarm:** When interior temperature is higher than 77°F/25°C for over 6 hours, the high temperature alarm will beep to alarm and the left side of LCD screen will display   . Press any key to stop the beeping alarm.

CARE AND MAINTENANCE

Cleaning your Appliance

- Turn off the power, unplug the appliance, and remove all items, including baskets and dividers.
- Wash the inside surfaces with a solution of warm water and baking soda (a quart of water to about 2 tablespoons of baking soda).
- Wash the baskets and dividers with a mild detergent solution.
- Wring excess water out of the sponge or cloth when cleaning the area where the controls are located, or near any electrical parts.
- Wash the outside cabinet with warm water and mild liquid detergent. Rinse well, and wipe dry with a clean soft cloth.
- Use an approved stainless steel cleaner to clean the doors and handles. Do not use steel wool or a steel brush on the stainless steel.

CAUTION: Failure to unplug the appliance before cleaning could result in electrical shock or other personal injury.

Power Failure

Most power failures are corrected within a few hours and should not affect the temperature of your appliance, if you minimize the number of times the drawers are opened. If the power is going to be off for a longer period of time, take the proper steps to protect the contents.

Vacations

- **Short vacations:** Leave the appliance operating during vacations of less than three weeks.
- **Long vacations:** If the appliance will not be used for several months, remove all items and turn off the appliance. Clean and dry the interior thoroughly. To prevent odor and mold growth, leave the drawers open slightly, blocking them open if necessary.

Moving your Appliance

1. Remove all stored items.
2. Securely tape down all loose parts (baskets, dividers) inside your appliance.
3. Turn the adjustable legs up to the base to avoid damage.
4. Tape the drawers shut.
5. Be sure the appliance stays secure and in the upright position during transportation. Also, protect the outside of the appliance with a blanket or similar item.

Energy-Saving Tips

- The appliance should be located in the coolest area of the room or outdoor location, away from heat-producing appliances, and out of direct sunlight.
- Ensure that the appliance is adequately ventilated. Never cover air vents.
- Do not keep the drawers open longer than necessary.
- Let hot foods cool to room temperature before placing in the appliance. Overloading the appliance forces the compressor to run longer.
- Be sure to wrap foods properly, and wipe containers dry before placing them in the appliance. This reduces frost build-up inside the appliance.
- Appliance bins and baskets should not be lined with aluminum foil, wax paper, or paper toweling. Liners interfere with cold air circulation, making the appliance less efficient.

TROUBLESHOOTING

You can solve many common problems easily, possibly saving you the cost of a service call. Try the suggestions below to see if you can solve the problem before calling the servicer.

PROBLEM	POSSIBLE CAUSE	REMEDY
<i>The appliance does not operate.</i>	<i>The appliance is not connected to a power supply. The appliance is turned off. Tripped circuit breaker or blown fuse</i>	<i>Connect the appliance. Turn on the appliance. Turn the circuit breaker on or replace the fuse.</i>
<i>The appliance is not cold enough.</i>	<i>The temperature is not set correctly. The ambient temperature could require a lower temperature setting. The drawers are opened too often. A drawer was not closed completely. A drawer is not hermetically sealed. The condenser is too dirty. The ventilation opening is blocked or is too dusty.</i>	<i>Check the set temperature. Set a lower temperature. Do not open drawers more often than necessary. Close the drawer properly. Check the seal and clean or replace. Clean the condenser, when necessary. Clear any obstructions, and wipe off the dust.</i>
<i>The appliance turns itself on and off frequently.</i>	<i>The ambient room temperature is higher than average. A large amount of food has been added to the appliance. The drawers are opened too often. A drawer is not closed completely. A drawer gasket does not seal properly.</i>	<i>Place the appliance in a location with a cooler ambient temperature. Leave the appliance to work until the set temperature has been reached. Do not open the drawers more often than necessary. Close drawer properly. Check the drawer seal and clean or replace it.</i>
<i>The light does not work.</i>	<i>The appliance is not connected to a power supply. Tripped circuit breaker or a blown fuse The light is switched off on the control panel.</i>	<i>Connect the appliance. Turn the circuit breaker on or replace fuse. Switch on the light.</i>
<i>Vibrations</i>	<i>The appliance is not properly leveled.</i>	<i>Level the appliance using the adjustable feet.</i>
<i>The appliance seems to make too much noise.</i>	<i>The rattling noise may come from the flow of the refrigerant, which is normal. As each cycle ends, you may hear gurgling sounds caused by the flow of refrigerant in your appliance. If temperature fluctuations occur, the contraction and expansion of the inner walls may cause popping and crackling noises.</i>	<i>Level the appliance with the adjustable feet.</i>

<p><i>The drawers will not close properly.</i></p>	<p><i>The appliance is not properly leveled.</i></p> <p><i>The gaskets are dirty.</i></p> <p><i>The baskets or bins are out of position.</i></p>	<p><i>Level the appliance with the adjustable feet.</i></p> <p><i>Clean the drawer gaskets.</i></p> <p><i>Check the baskets and bins and refit correctly.</i></p>
--	--	---

If you've checked the table above and find that you still need help with your appliance, call our Customer Service facility at **800-932-4267** between 9:00AM and 5:00PM ET. We will do our best to answer your questions.

CALIFORNIA CARB/SNAP DISCLOSURE

This product uses eco-friendly hydrocarbon refrigerant and fully complies with California CARB regulations.

However, we are required by California law to provide the following disclosure statement in every product sold in California:

"This equipment is prohibited from use in California with any refrigerants on the 'List of Prohibited Substances' for that specific end-use, in accordance with California Code of Regulations, title 17, section 95374. This disclosure statement has been reviewed and approved by Felix Storch, Inc. and Felix Storch, Inc. attests, under penalty of perjury, that these statements are true and accurate."

This product does **not** use any refrigerants on the 'List of Prohibited Substances'"

LIMITED WARRANTY

ONE-YEAR LIMITED WARRANTY

Within the 48 contiguous United States, for one year from the date of purchase, when this appliance is operated and maintained according to instructions attached to or furnished with the product, warrantor will pay for factory-specified parts and repair labor to correct defects in materials or workmanship. Service must be provided by a designated service company. Outside the 48 states, all parts are warranted for one year from manufacturing defects. Plastic parts, shelves and cabinets are warranted to be manufactured to commercially acceptable standards, and are not covered from damage during handling or breakage.

5-YEAR COMPRESSOR WARRANTY

1. The compressor is covered for 5 years.
2. Replacement does not include labor.

ITEMS WARRANTOR WILL NOT PAY FOR:

1. Service calls to correct the installation of your appliance, to instruct you how to use your appliance, to replace or repair fuses or to correct wiring or plumbing.
2. Service calls to repair or replace appliance light bulbs or broken shelves. Consumable parts (such as filters) are excluded from warranty coverage.
3. Damage resulting from accident, alteration, misuse, abuse, fire, flood, acts of God, improper installation, installation not in accordance with electrical or plumbing codes, or use of products not approved by warrantor.
4. Replacement parts or repair labor costs for appliances operated outside the United States.
5. Repairs to parts or systems resulting from unauthorized modifications made to the appliance.
6. The removal and reinstallation of your appliance if it is installed in an inaccessible location or is not installed in accordance with published installation instructions.

DISCLAIMER OF IMPLIED WARRANTIES – LIMITATION OF REMEDIES

CUSTOMER'S SOLE AND EXCLUSIVE REMEDY UNDER THIS LIMITED WARRANTY SHALL BE PRODUCT REPAIR AS PROVIDED HEREIN. IMPLIED WARRANTIES, INCLUDING WARRANTIES OF MERCHANTABILITY OR FITNESS FOR A PARTICULAR PURPOSE, ARE LIMITED TO ONE YEAR. WARRANTOR SHALL NOT BE LIABLE FOR INCIDENTAL OR CONSEQUENTIAL DAMAGES. SOME STATES DO NOT ALLOW THE EXCLUSION OR LIMITATION OF INCIDENTAL OR CONSEQUENTIAL DAMAGES, OR LIMITATIONS ON THE DURATION OF IMPLIED WARRANTIES OF MERCHANTABILITY OR FITNESS, SO THESE EXCLUSIONS OR LIMITATIONS MAY NOT APPLY TO YOU. THIS WARRANTY GIVES YOU SPECIFIC LEGAL RIGHTS AND YOU MAY ALSO HAVE OTHER RIGHTS, WHICH VARY FROM STATE TO STATE.



WARNING: This product can expose you to chemicals including Nickel (Metallic) which is known to the State of California to cause cancer.

For more information go to www.P65Warnings.ca.gov

Note: Nickel is a component in all stainless steel and some other metallic compositions.

Felix Storch, Inc.
An ISO 9001:2015 registered company
770 Garrison Ave
Bronx, New York 10474
www.accucold.com

SUMMIT[®]

For parts and accessory ordering,
troubleshooting and helpful hints, visit:
www.accucold.com/support

INFORMATION SUR LA SÉCURITÉ

Votre sécurité et celle des autres sont très importantes.

Nous avons fourni de nombreux messages de sécurité importants dans ce manuel et sur votre appareil. Lisez et respectez toujours tous les messages de sécurité.



C'est le symbole d'alerte de sécurité. Le symbole vous avertit des dangers potentiels qui peut vous tuer ou vous blesser ainsi que d'autres personnes. Tous les messages de sécurité suivront les consignes de sécurité
Symbole d'alerte et le mot DANGER ou AVERTISSEMENT.



DANGER signifie que le non-respect de cette déclaration de sécurité peut entraîner des blessures graves ou la mort.



AVERTISSEMENT signifie que le non-respect de cette déclaration de sécurité peut entraîner des dommages importants au produit, des blessures corporelles graves ou la mort.

Tous les messages de sécurité vous avertiront du danger potentiel, vous indiqueront comment réduire les risques de blessures et vous informeront de ce qui peut arriver si les instructions ne sont pas suivies.

GARANTIES IMPORTANTES



Avant d'utiliser le réfrigérateur ou le congélateur, il doit être correctement positionné et installé comme décrit dans ce manuel, alors lisez attentivement le manuel. Pour réduire le risque d'incendie, de choc électrique ou de blessure lors de l'utilisation du réfrigérateur ou du congélateur, suivez les précautions de base, notamment les suivantes :



- Branchez-le dans une prise à 3 broches mise à la terre, ne retirez pas la broche de mise à la terre, n'utilisez pas d'adaptateur et n'utilisez pas de rallonge.
- Remplacez tous les panneaux avant l'utilisation.
- Il est recommandé de prévoir un circuit séparé desservant uniquement votre réfrigérateur ou congélateur. Utilisez des prises qui ne peuvent pas être fermées par un interrupteur ou une chaîne de traction.
- Ne nettoyez jamais les pièces du réfrigérateur ou du congélateur avec des liquides inflammables. Ces fumées peuvent créer un risque d'incendie ou d'explosion. Et n'entrez pas et n'utilisez pas d'essence ou d'autres vapeurs et liquides inflammables à proximité de ce réfrigérateur ou de tout autre réfrigérateur ou congélateur. Les fumées peuvent créer un risque d'incendie ou d'explosion.
- Ne branchez ou ne débranchez pas la prise électrique lorsque vos mains sont mouillées.
- Débranchez le réfrigérateur ou le congélateur ou débranchez l'alimentation avant le nettoyage ou l'entretien. Le non-respect de cette consigne peut entraîner un choc électrique ou la mort.
- N'essayez pas de réparer ou de remplacer une pièce de votre réfrigérateur ou congélateur à moins que cela ne soit spécifiquement recommandé dans ce manuel. Tout autre entretien doit être confié à un technicien qualifié.
- Cet appareil est sans CFC et HFC et contient de petites quantités d'isobutane (R600a) qui est respectueux de l'environnement, mais inflammable. Il n'endommage pas la couche d'ozone et

n'augmente pas l'effet de serre. Lors du transport et de l'installation de l'appareil, il faut veiller à ce qu'aucune pièce du système de refroidissement ne soit endommagée. Une fuite de liquide de refroidissement peut s'enflammer et endommager les yeux.

- En cas de dommage :
 - Évitez les flammes nues et tout ce qui crée une étincelle,
 - Débrancher de l'alimentation électrique,
 - Aérer la pièce dans laquelle se trouve le réfrigérateur ou le congélateur pendant quelques minutes et
 - Contactez le service après-vente pour obtenir des conseils.
- Plus il y a de liquide de refroidissement dans un appareil, plus la pièce dans laquelle il doit être installé est grande. En cas de fuite, si l'appareil se trouve dans une petite pièce, il existe un risque de formation de gaz combustibles. Pour chaque once de liquide de refroidissement, au moins 325 pieds cubes d'espace dans la pièce sont nécessaires. La quantité de liquide de refroidissement dans l'appareil est indiquée sur la plaque signalétique à l'intérieur de l'appareil. Il est dangereux pour toute personne autre qu'une personne de service autorisée d'effectuer l'entretien ou les réparations de cet appareil.
- Faites très attention lors de la manipulation, du déplacement et de l'utilisation de l'appareil pour éviter d'endommager la tuyauterie de réfrigérant ou d'augmenter le risque de fuite.
- Le remplacement des composants et l'entretien doivent être effectués par du personnel d'entretien agréé par l'usine, afin de minimiser le risque d'inflammation possible en raison de pièces incorrectes ou d'un entretien inapproprié.

WARNING

SUIVEZ LES AVERTISSEMENTS CI-DESSOUS UNIQUEMENT SI APPLICABLES À VOTRE MODÈLE

- Utilisez deux personnes ou plus pour déplacer et installer l'appareil. Le non-respect de cette consigne peut entraîner des blessures au dos ou d'autres blessures.
- Pour assurer une bonne ventilation de votre réfrigérateur ou congélateur, l'avant de l'appareil doit être complètement dégagé. Choisissez un endroit bien ventilé avec des températures supérieures à 44 °F (7 °C) et inférieures à 90 °F (32 °C).
- L'appareil ne doit pas être placé à côté de fours, de grils ou d'autres sources de chaleur élevée.
- L'appareil doit être installé avec tous les raccordements électriques, d'eau et d'évacuation conformément aux codes nationaux et locaux. Une alimentation électrique standard (115 V CA uniquement, 60 Hz), correctement mise à la terre conformément au Code national de l'électricité et aux codes et ordonnances locaux, est requise.
- Ne pliez pas et ne pincez pas le cordon d'alimentation de l'appareil.
- La taille du fusible (ou du disjoncteur) doit être de 15 ampères.
- Il est important que l'appareil soit de niveau afin de fonctionner correctement. Vous devrez peut-être faire plusieurs ajustements pour le mettre à niveau.
- Toutes les installations doivent être conformes aux exigences du code de plomberie local.
- Assurez-vous que les tuyaux ne sont pas pincés, pliés ou endommagés lors de l'installation.
- Vérifiez les fuites après le raccordement.
- Ne laissez jamais les enfants utiliser, jouer avec ou ramper à l'intérieur de l'appareil.
- N'utilisez pas de produits de nettoyage à base de solvants ou d'abrasifs sur l'intérieur. Ces nettoyeurs peuvent endommager ou décolorer l'intérieur.
- N'utilisez cet appareil que pour l'usage auquel il est destiné, tel que décrit dans ce manuel d'utilisation.
- Gardez les doigts hors des zones de « point de pincement ». Les dégagements entre la porte et l'armoire sont nécessairement faibles. Soyez prudent en fermant la porte lorsque des enfants sont dans la zone.

DANGER

Risque de piégeage d'enfants !

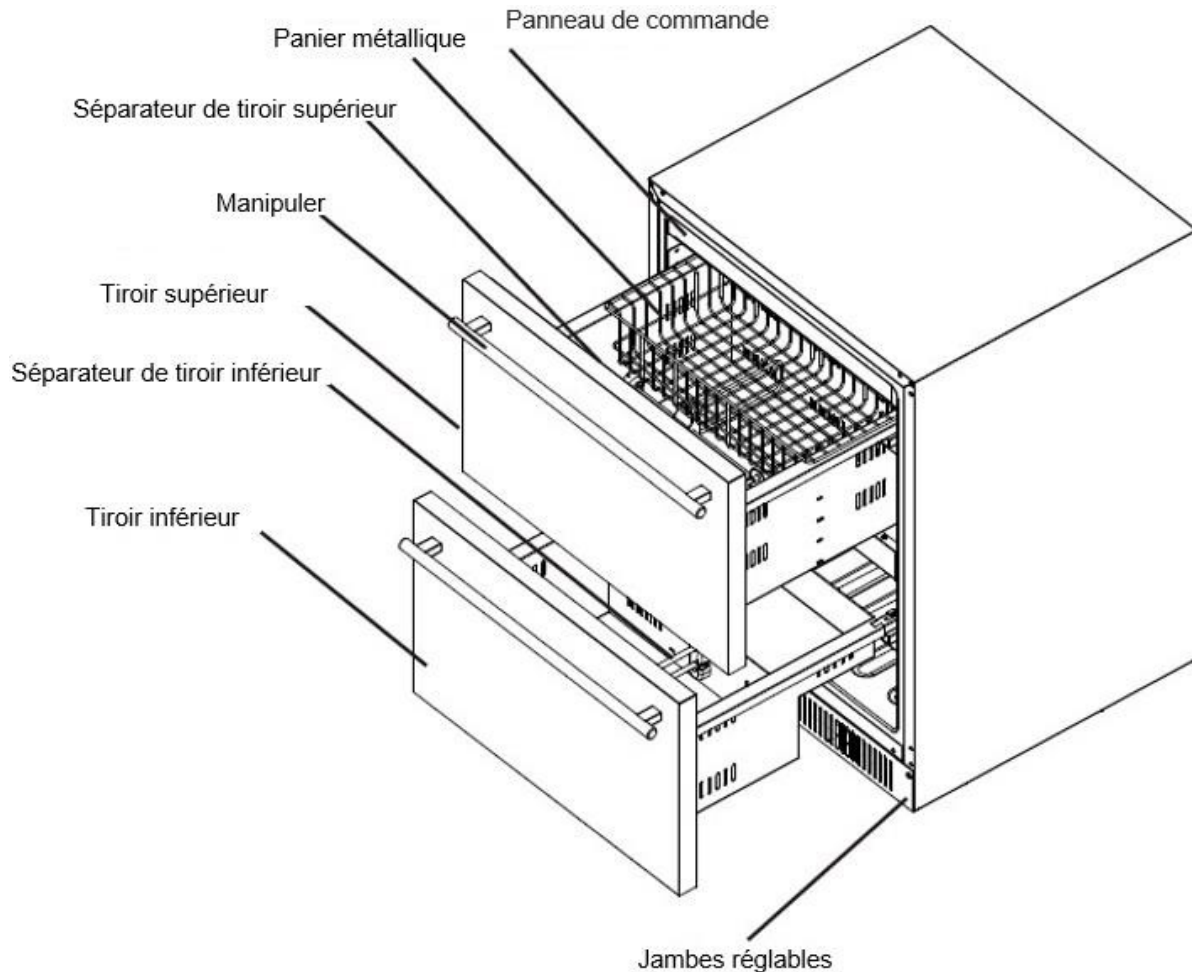
Le piégeage et l'étouffement des enfants ne sont pas des problèmes du passé. Les réfrigérateurs ou congélateurs mis au rebut ou abandonnés sont toujours dangereux, même s'ils "ne resteront que quelques jours".

Avant de jeter votre ancien réfrigérateur :

- *Enlever les portes*
- *Laissez les étagères en place afin que les enfants ne grimpent pas facilement à l'intérieur.*
- Cet appareil n'est pas destiné à être utilisé par des personnes (y compris des enfants) dont les capacités physiques, sensorielles ou mentales peuvent être différentes ou réduites, qui manquent d'expérience ou de connaissances, à moins que ces personnes ne soient supervisées ou formées pour utiliser l'appareil par une personne responsable de leur sécurité.
- Ne stockez pas de substances explosives telles que des bombes aérosol contenant un propulseur inflammable dans cet appareil.

- CONSERVEZ CES INSTRUCTIONS –

PIÈCES ET CARACTÉRISTIQUES



REMARQUES:

- Les modèles de réfrigérateurs ADRD24 et ADRD15 sont conçus pour une utilisation à l'extérieur comme à l'intérieur. Ils sont équipés d'un extérieur renforcé et d'un cordon d'alimentation conçu pour résister aux intempéries.
- En raison de la largeur limitée de l'ADRD15, il n'y a pas de séparateurs de tiroir pour ce modèle.

INSTALLATION DE VOTRE CONGÉLATEUR DROIT

Avant d'utiliser votre appareil

- Retirez l'emballage extérieur et intérieur.
- Avant de brancher l'appareil à la source d'alimentation, laissez-le debout pendant environ 2 heures. Cela réduira la possibilité d'un dysfonctionnement du système de refroidissement dû à une manipulation pendant le transport.
- Nettoyez la surface intérieure à l'eau tiède, à l'aide d'un chiffon doux.
- Installez les poignées sur les tiroirs, si elles ne sont pas déjà fixées.

Installation de votre appareil

- L'appareil est conçu pour une installation encastrée, encastrée ou autonome

ATTENTION: Cet appareil n'est pas conçu pour le stockage de médicaments ou d'autres produits médicaux.

- Placez votre appareil là où le sol est suffisamment solide pour le supporter lorsqu'il est complètement chargé. Pour mettre l'appareil à niveau, ajustez les pieds de mise à niveau avant.
- Pour une installation autonome, un espace de 5 po (127 mm) entre l'arrière et les côtés de l'appareil et de 4 po (102 mm) en haut est suggéré. Cela permet une bonne circulation de l'air pour refroidir le compresseur et le condenseur. Pour une installation encastrée, laissez un espace de " (6,35 mm) entre le dessus et les côtés de l'appareil et de 2" (51 mm) à l'arrière. Assurez-vous que l'évent à l'avant de l'appareil n'est jamais couvert ou bloqué de quelque façon que ce soit.
- Évitez de placer l'appareil dans des zones humides.
- Branchez l'appareil dans une prise murale exclusive et correctement mise à la terre.

REMARQUE: Il est recommandé de ne pas installer l'appareil à proximité d'un four, d'un radiateur ou d'une autre source de chauffage. Les sources de chaleur peuvent augmenter la consommation électrique et la lumière directe du soleil peut affecter le revêtement extérieur. Ne pas installer dans un endroit où la température descendra en dessous de 50°F (10°C). Pour de meilleures performances, n'installez pas l'appareil derrière une porte d'armoire ou ne bloquez pas la grille de la base.

Connexion électrique



Une mauvaise utilisation de la fiche mise à la terre peut entraîner un risque de choc électrique. Si le cordon d'alimentation est endommagé, faites-le remplacer par un électricien qualifié ou un centre de service agréé.

Cet appareil doit être correctement mis à la terre pour votre sécurité. Le cordon d'alimentation de cet appareil est équipé d'une fiche à trois broches, qui s'accouple avec des prises murales standard à trois broches pour minimiser la possibilité de choc électrique.

Ne coupez ni ne retirez en aucun cas la troisième broche (terre) du cordon d'alimentation fourni. Pour votre sécurité personnelle, cet appareil doit être correctement mis à la terre. Toute question concernant l'alimentation et/ou la mise à la terre doit être adressée à un électricien certifié ou à un centre de service agréé.

Cet appareil nécessite une prise électrique standard à trois broches avec mise à la terre de 115/120 volts CA ~ 60 Hz. Faites vérifier la prise murale et le circuit par un électricien qualifié pour vous assurer que la prise est correctement mise à la terre. Lorsqu'une prise murale standard à 2 broches est rencontrée, il est de votre responsabilité et obligation de la faire remplacer par une prise murale à 3 broches correctement mise à la terre.

Pour éviter les blessures accidentelles, le cordon doit être fixé derrière l'appareil et ne doit pas être laissé exposé ou pendre.

L'appareil doit toujours être branché sur sa propre prise électrique individuelle, dont la tension nominale correspond à la plaque signalétique apposée sur l'appareil. Cela offre les meilleures performances et empêche la surcharge des circuits de câblage de la maison, ce qui pourrait provoquer un risque d'incendie par surchauffe. Ne débranchez jamais l'appareil en tirant sur le cordon d'alimentation. Tenez toujours fermement la fiche et tirez-la tout droit hors de la prise. Réparez ou remplacez immédiatement tous les cordons d'alimentation effilochés ou autrement endommagés. N'utilisez pas de cordon présentant des fissures ou des dommages dus à l'abrasion sur toute sa longueur ou à chaque extrémité. Lorsque vous déplacez l'appareil, veillez à ne pas endommager le cordon d'alimentation.

Rallonge électrique

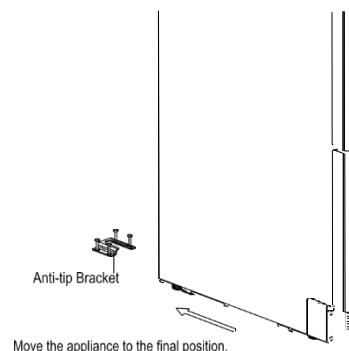
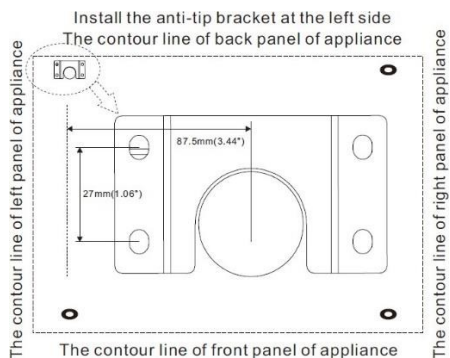
En raison de problèmes de sécurité potentiels dans certaines conditions, il est fortement recommandé de ne pas utiliser de rallonge avec cet appareil. Cependant, si vous devez utiliser une rallonge, il est absolument nécessaire qu'il s'agisse d'une rallonge d'appareil de type mise à la terre à 3 fils, homologuée UL/CUL, dotée d'une fiche et d'une prise de terre et que la puissance nominale du cordon soit de 115 volts et au moins 10 ampères.

Installation du support anti-basculement

Pour réduire le risque de renversement de l'appareil par une utilisation anormale ou un chargement incorrect, l'appareil doit être sécurisé en installant correctement le dispositif anti-basculé emballé avec l'appareil.

1. Placez le support antibasculement sur le sol comme indiqué sur la figure ci-dessous. Le support antibasculement doit être installé sur le côté gauche.
2. Marquez les emplacements des 4 trous du support anti-basculement sur le sol.
3. Utilisez un foret à maçonnerie de 11/50 po et insérez les ancrages en plastique.
4. Fixez le support anti-basculement au sol à l'aide de vis.
5. Faites glisser l'appareil en position et assurez-vous que le pied s'engage dans le support anti-basculement.

REMARQUE: Si l'appareil est déplacé, le support doit être retiré et installé dans le nouvel emplacement.



Installation du diviseur de tiroir (pour ADRD24)

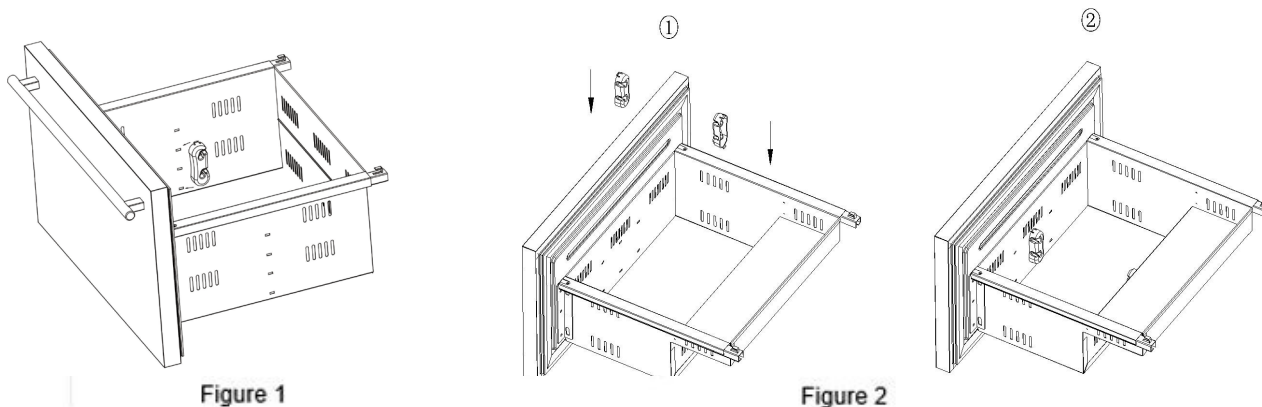
Afin de mieux utiliser le tiroir pour stocker différents boissons ou fruits, le modèle ADRD24 est équipé de deux jeux de séparateurs de tiroirs.

1. Veuillez trouver les accessoires de séparation dans le sac en plastique d'accessoires, les détails des accessoires sont les suivants :

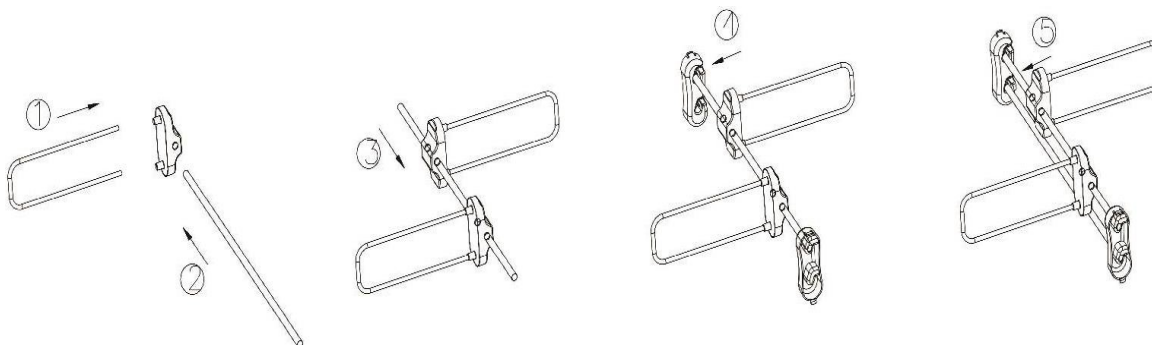
Séparateur siège permanent (Gauche)	2pcs
Séparateur siège permanent (Droite)	2pcs
Diviseur mobile (2 rotateurs, 2 tubes en U)	2sets
Tiroir supérieur tube inox	2pcs
Tiroir inférieur tube inox	2pcs

2. Veuillez suivre les étapes de la figure pour installer.

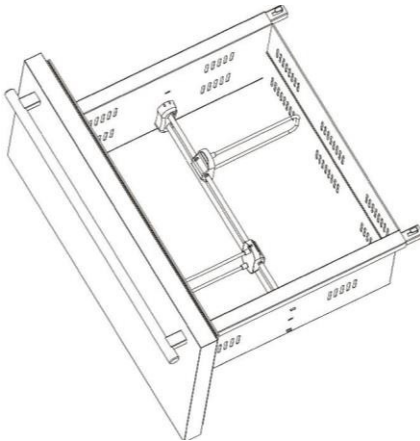
Étape 1: Pour installer 1 diviseur droit et 1 diviseur gauche siège permanent des deux côtés sur le tiroir supérieur (figure 1) et le tiroir inférieur (figure 2)



Étape 2: Pour assembler le diviseur mobile, les pièces qui doivent être préparées sont le tuyau du tiroir supérieur 2 pièces, 2 tubes en forme de U et 2 rotateurs, veuillez suivre la figure 3 ci-dessous.



Étape 3: Assemblage complet (tiroir supérieur)



Étape 4: Pour assembler le diviseur sur le tiroir inférieur, veuillez voir ci-dessous la figure 4

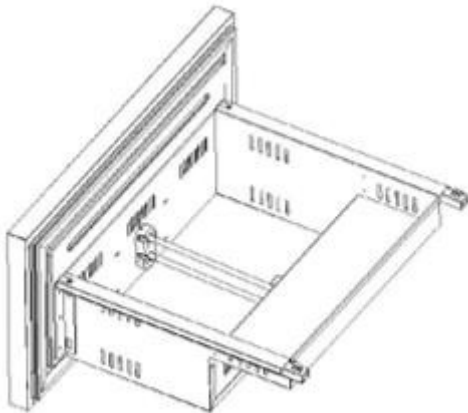
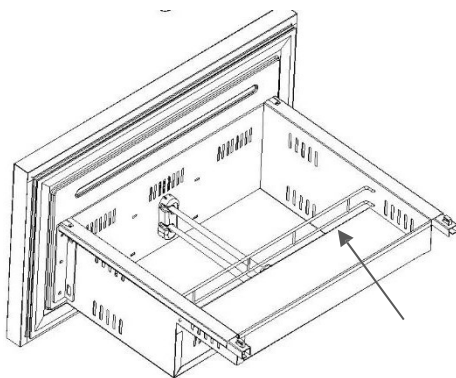


Figure 4

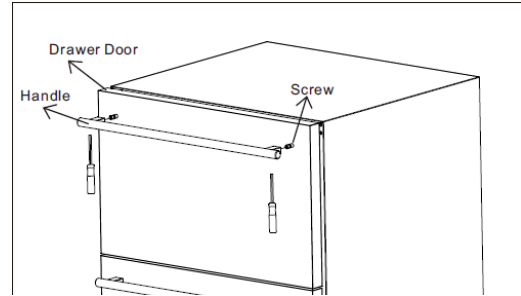
Étape 5: Installez le tube S.S. pour éviter que les bouteilles placées dans le tiroir inférieur ne tombent lors de l'ouverture et de la fermeture de la porte



Installation des poignées en acier inoxydable

Cet appareil comprend deux poignées en acier inoxydable qui ne sont pas nécessaires pour faire fonctionner l'appareil. Pour installer les poignées, suivez les instructions ci-dessous:

1. Retirez le joint de porte.
2. Installez la poignée avec les vis fournies. NE PAS trop serrer car cela endommagerait la surface de la porte en acier inoxydable.
3. Remplacez le joint de la porte.



Instructions d'installation du panneau de superposition complète (ADRD24)

Ce modèle est conçu pour un panneau de revêtement installé sur le terrain, qui peut recouvrir l'acier inoxydable pour donner un aspect intégré. Le panneau de recouvrement et le matériel approprié ne sont pas inclus avec l'appareil et vous devez installer le panneau vous-même.

Veuillez suivre les instructions ci-dessous pour l'installation:

- Retirez tous les articles stockés à l'intérieur des tiroirs et sortez les tiroirs.
- Retirez le joint et retirez la poignée en retirant les deux vis qui fixent la poignée à la porte.
- Percez les 8 trous illustrés à l'aide d'un foret de 9/50 po sur les 4 côtés de la façade de la porte du tiroir. (Fig.2)
- Coupez les panneaux de revêtement de 3/4" d'épaisseur aux dimensions suivantes: 23,34" x 14,17"(WxH).
- Si vous réutilisez les poignées fournies avec l'appareil, percez deux trous d'un diamètre de 9/50 po dans le panneau de revêtement.
- Si des poignées fournies par l'utilisateur doivent être utilisées, fixez les poignées aux panneaux de revêtement à l'aide des vis à tête plate et enfoncez les vis au ras des panneaux.
- Fixez la poignée et le panneau de revêtement ensemble à la face du tiroir à l'aide de 2 vis M4x45 et à travers les 2 trous existants sur la face de la porte. Fixez ensuite le panneau de revêtement à la face du tiroir à l'aide de 8 vis M4x45 et à travers 8 trous existants à l'intérieur de la rainure de la porte. (Fig. 3)
- Fixez le panneau de revêtement à la face du tiroir à travers les trous existants à l'intérieur de la rainure de la porte, à l'aide des 8 vis M4x45.
- Décollez les joints, puis alignez les canaux latéraux gauche et droit avec les rails de l'armoire. En assurant un engagement uniforme des rails des deux côtés, poussez doucement le tiroir dans l'armoire jusqu'à ce qu'il s'arrête.

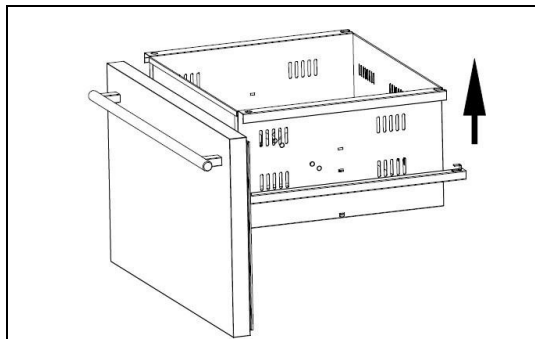


Fig.1

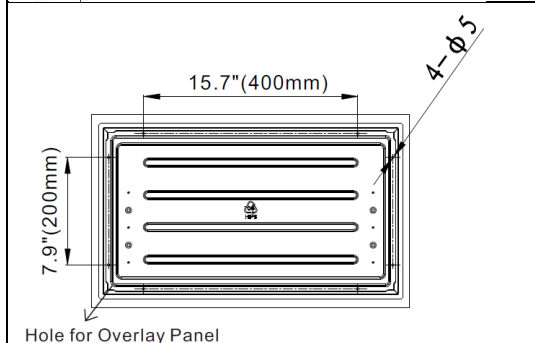


Fig.2

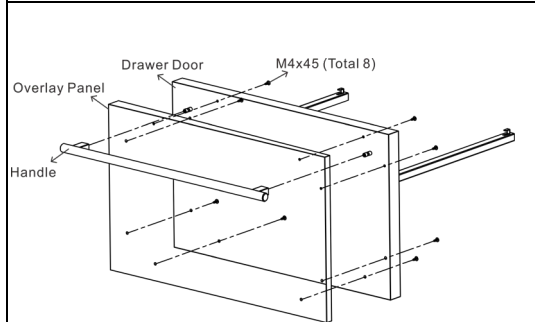


Fig.3

Instructions d'installation du panneau de superposition complète (ADRD15)

Ce modèle est conçu pour un panneau de revêtement installé sur le terrain, qui peut recouvrir l'acier inoxydable pour donner un aspect intégré. Le panneau de recouvrement et le matériel approprié ne sont pas inclus avec l'appareil et vous devez installer le panneau vous-même.

Veillez suivre les instructions ci-dessous pour l'installation:

- Retirez tous les articles stockés à l'intérieur des tiroirs et sortez les tiroirs.
- Retirez le joint et retirez la poignée en retirant les deux vis qui fixent la poignée à la porte.
- Percez les 8 trous illustrés à l'aide d'un foret de 9/50 po sur les 4 côtés de la façade de la porte du tiroir. (Fig.2)
- Coupez les panneaux de revêtement de 3/4" d'épaisseur aux dimensions suivantes: 14,88" x 14,17" (HxW).
- Si vous réutilisez les poignées fournies avec l'appareil, percez deux trous d'un diamètre de 9/50 po dans le panneau de revêtement.
- Si des poignées fournies par l'utilisateur doivent être utilisées, fixez les poignées aux panneaux de revêtement à l'aide des vis à tête plate et enfoncez les vis au ras des panneaux.
- Fixez la poignée et le panneau de revêtement ensemble à la face du tiroir à l'aide de 2 vis M4x45 et à travers les 2 trous existants sur la face de la porte. Fixez ensuite le panneau de revêtement à la face du tiroir à l'aide de 8 vis M4x45 et à travers 8 trous existants à l'intérieur de la rainure de la porte. (Fig. 3)
- Fixez le panneau de revêtement à la face du tiroir à travers les trous existants à l'intérieur de la rainure de la porte, à l'aide des 8 vis M4x45.
- Décollez les joints, puis alignez les canaux latéraux gauche et droit avec les rails de l'armoire. En assurant un engagement uniforme des rails des deux côtés, poussez doucement le tiroir dans l'armoire jusqu'à ce qu'il s'arrête.

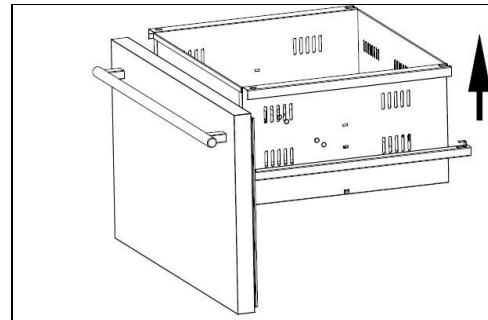


Fig.1

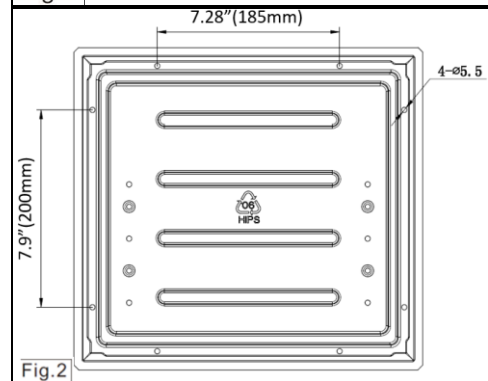
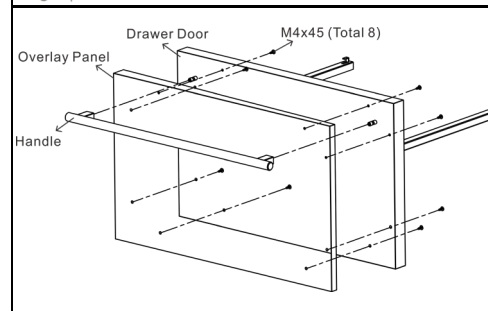


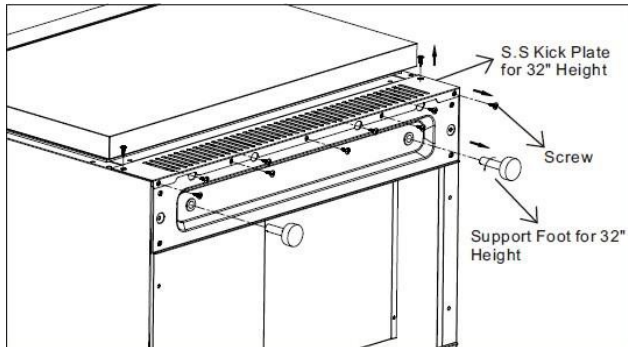
Fig.2



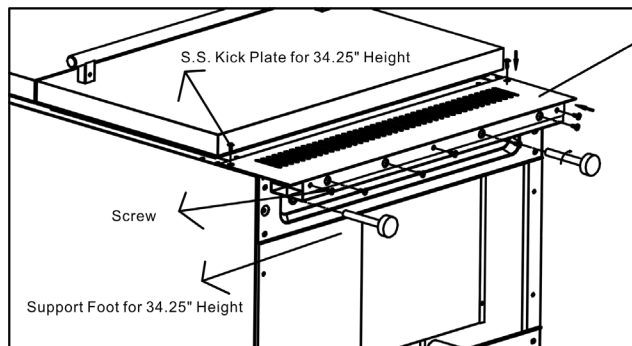
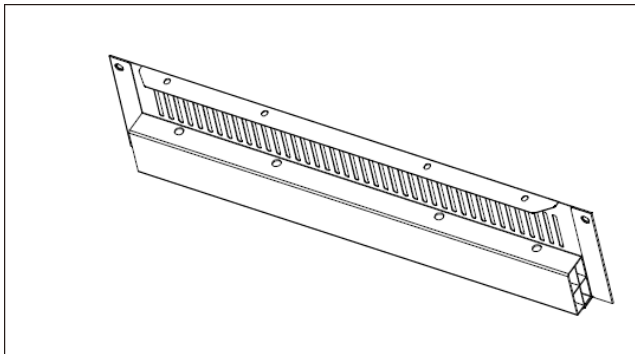
Instructions d'installation de la plaque de protection en acier inoxydable

Ce modèle est conçu pour une hauteur de 32" ou 34,25". Il y a deux plaques de protection en acier inoxydable incluses. La hauteur de 32 po est standard pour cet appareil. Si la hauteur est modifiée à 34,25", une autre plaque de protection doit être installée. Pour installer une plaque de protection pour une hauteur de 34,25 po, veuillez suivre les instructions ci-dessous:

1. Retirez tous les articles stockés à l'intérieur des tiroirs.
2. Débranchez l'appareil.
3. Posez une couverture ou quelque chose de doux sur le sol et posez soigneusement l'appareil sur sa face arrière.
4. Retirez la plaque de protection pour la hauteur de 32 po en enlevant les deux pieds de support et les vis.



5. En réutilisant les vis d'origine, installez la plaque de protection et les pieds de support pour une hauteur de 34,25 pouces,



6. Placez l'appareil à la verticale, placez-vous dans une position appropriée et assurez-vous que l'appareil est de niveau.

FONCTIONNEMENT DE VOTRE APPAREIL

Installez l'appareil dans un endroit où la température ambiante se situe entre 50 °F et 100 °F (10 ° à 38 °C), et idéalement environ 77 °F (25 °C). Si la température ambiante est supérieure ou inférieure aux températures recommandées, les températures intérieures peuvent fluctuer et la température de fonctionnement attendue peut ne pas être atteinte.

Panneau de commande (ADRD24)





REMARQUE: Appuyez une fois sur la touche ON / OFF pour désactiver l'alarme sonore lorsque l'alarme est activée.


Réglage du contrôle de la température

- La température pré-réglée en usine est de 38 °F ou 3 °C.
- La plage de températures de consigne est de 34 °F à 43 °F ou de 1 °C à 6 °C.
- Réglez la température en appuyant sur le symbole **SETTING** puis en appuyant sur les symboles **UP** et **DOWN**. Lorsque vous appuyez sur le symbole **SETTING** pour la première fois, l'affichage LED affichera la dernière température réglée.
- La température augmentera de 1 °C / 1°F chaque fois que vous appuyez sur le symbole **UP**, et diminuera de 1 °C / 1°F chaque fois que vous appuyez sur le symbole **DOWN**.
- Appuyez sur le symbole **SETTING** pour afficher la température réglée à tout moment. La température réglée clignotera dans la fenêtre d'affichage pendant 5 secondes. Après 5 secondes, la température réelle à l'intérieur de l'appareil réapparaît dans la fenêtre d'affichage.

Lumière intérieure

- L'éclairage intérieur permet de visualiser facilement vos objets. Un appui sur le symbole LUMIÈRE permet de basculer entre 2 modes de fonctionnement des éclairages internes : mode fonctionnel (par défaut) et vitrine mode.
- Lors de l'utilisation du mode fonctionnel (par défaut), les lumières s'allumeront et l'écran LCD ne s'affichera  que lorsqu'un tiroir est ouvert.
- Lors de l'utilisation du mode vitrine, l'écran LCD s'affichera  et les lumières s'allumeront que le tiroir soit ouvert ou non. Pour utiliser le mode vitrine, maintenez enfoncé le symbole LUMIÈRE pendant 3 secondes pour accéder au mode vitrine. Appuyez et maintenez pendant 3 secondes pour quitter ce mode.

Mode Sabbat

- Le mode Sabbat est disponible pour l'observation de certaines fêtes religieuses. Ce mode éteint les affichages, l'éclairage intérieur et les alarmes sonores et les empêche de se rallumer. Les opérations de refroidissement normales auront toujours lieu.
- Pour lancer le mode Sabbat, appuyez simultanément sur les symboles **LIGHT** et **SETTING** et maintenez-les enfoncés pendant au moins 3 secondes. L'écran LCD clignotera pendant  3 secondes et confirmera que le mode Sabbat est activé.

- Le mode Sabbat peut être annulé en répétant le processus ci-dessus. Le mode Sabbat s'éteindra automatiquement après 96 heures. Si l'alimentation est coupée, lorsqu'elle est rétablie, le mode Sabbat s'éteint.

Panneau de commande (ADRD15)





REMARQUE: Appuyez une fois sur la touche ON / OFF pour désactiver l'alarme sonore lorsque l'alarme est activée.


Réglage du contrôle de la température

- La température pré-réglée en usine est de 38 °F ou 3 °C.
- La plage de températures de consigne est de 34 °F à 43 °F ou de 1 °C à 6 °C.
- Réglez la température en appuyant sur les symboles **UP** et **DOWN**.
- La température augmente de 1 °C / 1 °F à chaque fois que le symbole vers le haut est enfoncé et diminue de 1 °C / 1 °F à chaque fois que le symbole vers le bas est enfoncé. La température de réglage clignotera dans la fenêtre d'affichage pendant 5 secondes. Après 5 secondes, la température réelle dans l'appareil réapparaîtra dans la fenêtre d'affichage.
- Appuyez simultanément sur les symboles **UP** et **DOWN** et maintenez-les pendant 3 secondes pour changer l'affichage de la température de degrés Celsius à degrés Fahrenheit ou de degrés Fahrenheit à degrés Celsius.

Lumière intérieure

- L'éclairage intérieur permet de visualiser facilement vos objets. Un appui sur le symbole LUMIÈRE permet de basculer entre 2 modes de fonctionnement des éclairages internes : mode fonctionnel (par défaut) et vitrine mode.
- Lors de l'utilisation du mode fonctionnel (par défaut), les lumières s'allumeront et l'écran LCD ne s'affichera  que lorsqu'un tiroir est ouvert.
- Lors de l'utilisation du mode vitrine, l'écran LCD s'affichera  et les lumières s'allumeront que le tiroir soit ouvert ou non. Pour utiliser le mode vitrine, maintenez enfoncé le symbole LUMIÈRE pendant 3 secondes pour accéder au mode vitrine. Appuyez et maintenez pendant 3 secondes pour quitter ce mode.

Mode Sabbat

- Le mode Sabbat est disponible pour l'observation de certaines fêtes religieuses. Ce mode éteint les affichages, l'éclairage intérieur et les alarmes sonores et les empêche de se rallumer. Les opérations de refroidissement normales auront toujours lieu.
- Pour lancer le mode Sabbat, appuyez simultanément sur les symboles **LIGHT** et **UP** et maintenez-les enfoncés pendant au moins 3 secondes. L'écran LCD clignotera pendant  3 secondes et confirmera que le mode Sabbat est activé.

- Le mode Sabbat peut être annulé en répétant le processus ci-dessus. Le mode Sabbat s'éteindra automatiquement après 96 heures. Si l'alimentation est coupée, lorsqu'elle est rétablie, le mode Sabbat s'éteint.

Fonction de mémoire de température

En cas de coupure de courant (surtension, interrupteur, etc.), l'appareil peut mémoriser les réglages de température précédents, et lorsque le courant est rétabli, la température de l'armoire revient à la même température de consigne qu'avant la coupure de courant.


Décongélation

Dans des conditions normales de fonctionnement, l'appareil ne nécessite pas de dégivrage manuel. L'évaporateur derrière la paroi arrière de l'appareil se dégivre automatiquement. Le condensat s'accumule dans le canal de drainage derrière la paroi arrière de l'appareil et s'écoule à travers le trou de drainage dans le bac d'égouttage par le compresseur où il s'évapore.







REMARQUE: du givre peut s'accumuler sur l'évaporateur si l'appareil est ouvert à plusieurs reprises dans des endroits très chauds ou très humides.

Système d'alarme

Alarme d'ouverture de porte

Si un tiroir est resté ouvert pendant plus de 5 minutes, l'écran LCD s'affichera  et émettra 3 bips toutes les 5 secondes. Appuyez sur n'importe quelle touche ou fermez la porte pour arrêter l'alarme.

Alarme de température

- Alarme de basse température : Lorsque la température intérieure est inférieure à 28 °F / -2 °C pendant plus de 3 heures, l'alarme de basse température émet un bip et le côté gauche de l'écran LCD s'affiche   . Appuyez sur n'importe quelle touche pour arrêter l'alarme sonore.
- Alarme de température élevée : Lorsque la température intérieure est supérieure à 77 °F / 25 °C pendant plus de 6 heures, l'alarme de température élevée émet un bip et le côté gauche de l'écran LCD s'affiche   . Appuyez sur n'importe quelle touche pour arrêter l'alarme sonore.

SOINS ET ENTRETIEN

Nettoyage de votre appareil

- Coupez l'alimentation, débranchez l'appareil et retirez tous les articles, y compris les paniers et les séparateurs.
- Lavez les surfaces intérieures avec une solution d'eau tiède et de bicarbonate de soude (un litre d'eau pour environ 2 cuillères à soupe de bicarbonate de soude).
- Lavez les paniers et les séparateurs avec une solution détergente douce. • Essorez l'excès d'eau de l'éponge ou du chiffon lorsque vous nettoyez la zone où se trouvent les commandes ou à proximité de toute pièce électrique.
- Lavez l'extérieur de l'armoire avec de l'eau tiède et un détergent liquide doux. Bien rincer et essuyer avec un chiffon doux et propre.
- Utilisez un nettoyeur pour acier inoxydable approuvé pour nettoyer les portes et les poignées. N'utilisez pas de laine d'acier ou de brosse en acier sur l'acier inoxydable.

ATTENTION: Ne pas débrancher l'appareil avant le nettoyage peut entraîner un choc électrique ou d'autres blessures.

Panne électrique

La plupart des pannes de courant sont corrigées en quelques heures et ne devraient pas affecter la température de votre appareil, si vous minimisez le nombre d'ouvertures des tiroirs. Si l'alimentation doit être coupée pendant une période prolongée, prenez les mesures appropriées pour protéger le contenu.

Les vacances

- **Vacances courtes:** Laissez l'appareil fonctionner pendant les vacances de moins de trois semaines.
- **Longues vacances:** Si l'appareil n'est pas utilisé pendant plusieurs mois, retirez tous les articles et éteignez l'appareil. Nettoyez et séchez soigneusement l'intérieur. Pour éviter la formation d'odeurs et de moisissures, laissez les tiroirs légèrement ouverts, en les bloquant si nécessaire.

Déplacement de votre appareil

1. Retirez tous les éléments stockés.
2. Collez solidement toutes les pièces détachées (paniers, séparateurs) à l'intérieur de votre appareil.
3. Tournez les pieds réglables jusqu'à la base pour éviter tout dommage.
4. Fermez les tiroirs avec du ruban adhésif.
5. Assurez-vous que l'appareil reste sécurisé et en position verticale pendant le transport. Protégez également l'extérieur de l'appareil avec une couverture ou un article similaire.

Conseils d'économie d'énergie

- L'appareil doit être situé dans la zone la plus fraîche de la pièce ou à l'extérieur, à l'écart des appareils produisant de la chaleur et à l'abri de la lumière directe du soleil.
- Assurez-vous que l'appareil est suffisamment ventilé. Ne couvrez jamais les bouches d'aération.
- Laissez les aliments chauds refroidir à température ambiante avant de les placer dans l'appareil. Une surcharge de l'appareil oblige le compresseur à fonctionner plus longtemps.
- Assurez-vous d'emballer correctement les aliments et essuyez les contenants avant de les placer dans l'appareil. Cela réduit la formation de givre à l'intérieur de l'appareil.
- Les bacs et paniers d'appareils ne doivent pas être recouverts de papier d'aluminium, de papier ciré ou d'essuie-tout. Les doublures interfèrent avec la circulation de l'air froid, ce qui rend l'appareil moins efficace.

DÉPANNAGE

Vous pouvez résoudre facilement de nombreux problèmes courants, ce qui peut vous faire économiser le coût d'un appel de service. Essayez les suggestions ci-dessous pour voir si vous pouvez résoudre le problème avant d'appeler le réparateur.

PROBLEME	CAUSE POSSIBLE	REMEDE
L'appareil ne fonctionne pas.	L'appareil n'est pas connecté à une alimentation électrique. L'appareil est éteint. Disjoncteur déclenché ou fusible grillé	Connectez l'appareil. Allumez l'appareil. Allumez le disjoncteur ou remplacez le fusible.
L'appareil n'est pas assez froid.	La température n'est pas réglée correctement. La température ambiante peut nécessiter un réglage de température inférieur. Les tiroirs sont ouverts trop souvent. Un tiroir n'était pas complètement fermé. Un tiroir n'est pas hermétiquement fermé. Le condenseur est trop sale. L'orifice de ventilation est bouché ou est trop poussiéreux.	Vérifiez la température réglée. Réglez une température plus basse. N'ouvrez pas les tiroirs plus souvent que nécessaire. Fermez correctement le tiroir. Vérifiez le joint et nettoyez ou remplacez. Nettoyez le condenseur, si nécessaire. Dégagez toute obstruction et essuyez la poussière.
L'appareil s'allume et s'éteint fréquemment.	La température ambiante de la pièce est supérieure à la moyenne. Une grande quantité d'aliments a été ajoutée à l'appareil. Les tiroirs sont ouverts trop souvent. Un tiroir n'est pas complètement fermé. Un joint de tiroir ne scelle pas correctement.	Placez l'appareil dans un endroit avec une température ambiante plus fraîche. Laissez l'appareil fonctionner jusqu'à ce que la température réglée soit atteinte. N'ouvrez pas les tiroirs plus souvent que nécessaire. Fermez correctement le tiroir. Vérifiez le joint du tiroir et nettoyez-le ou remplacez-le.
La lumière ne fonctionne pas.	L'appareil n'est pas connecté à une alimentation électrique. Disjoncteur déclenché ou fusible grillé La lumière est éteinte sur le panneau de commande.	Connectez l'appareil. Allumez le disjoncteur ou remplacez le fusible. Allumer la lumière.
Vibrations	L'appareil n'est pas correctement nivelé.	Mettez l'appareil à niveau à l'aide des pieds réglables.
L'appareil semble faire trop de bruit.	Le bruit de cliquetis peut provenir de l'écoulement du réfrigérant, ce qui est normal. À la fin de chaque cycle, vous pouvez entendre des gargouillis causés par le flux de réfrigérant dans votre appareil. En cas de fluctuations de température, la contraction et l'expansion des parois internes peuvent provoquer des bruits de claquement et de craquement.	
	L'appareil n'est pas correctement nivelé.	Mettez l'appareil à niveau avec les pieds réglables.

<p><i>Les tiroirs ne se fermeront pas correctement.</i></p>	<p><i>L'appareil n'est pas correctement nivelé. Les joints sont sales. Les paniers ou bacs ne sont pas en place.</i></p>	<p><i>Mettez l'appareil à niveau avec les pieds réglables. Nettoyez les joints du tiroir. Vérifiez les paniers et les bacs et remontez correctement.</i></p>
---	--	--

Si vous avez vérifié le tableau ci-dessus et constatez que vous avez toujours besoin d'aide avec votre appareil, appelez notre service à la clientèle au **800-932-4267** entre 9h00 et 17h00 HE. Nous ferons de notre mieux pour répondre à vos questions.

Divulgarion de CARB/SNAP en California:

Ce produit utilise un réfrigérant hydrocarbon écologique et est entièrement conforme aux réglementations California CARB.

Cependant, nous sommes tenus par la loi Californienne de fournir la déclaration de divulgation suivante dans chaque produit vendu en California.

« Il est interdit d'utiliser cet équipement en California avec tout réfrigérant figurant sur la « Liste des substances interdites » pour cette utilisation finale spécifique, conformément au California Code of Regulations, titre 17, section 95374. Cette déclaration a été examinée et approuvée par Felix Storch, Inc. et Felix Storch, Inc. attestent, sous peine de parjure, que ces déclarations sont véridiques et exactes. »

Ce produit n'utilise aucun réfrigérant sur la 'Liste des substances interdites'

REMARQUES

GARANTIE LIMITÉE

GARANTIE LIMITÉE D'UN AN

Dans les 48 États-Unis contigus, pendant un an à compter de la date d'achat, lorsque cet appareil est utilisé et entretenu selon les instructions jointes ou fournies avec le produit, le garant paiera les pièces spécifiées par l'usine et la main-d'œuvre de réparation pour corriger les défauts de matériaux ou de fabrication. Le service doit être fourni par une entreprise de service désignée. En dehors des 48 états, toutes les pièces sont garanties pendant un an contre les défauts de fabrication. Les pièces en plastique, les étagères et les armoires sont garanties pour être fabriquées selon des normes commercialement acceptables et ne sont pas couvertes contre les dommages pendant la manipulation ou la casse.

GARANTIE COMPRESSEUR DE 5 ANS

1. Le compresseur est couvert pendant 5 ans.
2. Le remplacement n'inclut pas la main-d'œuvre.

LE GARANT DES ARTICLES NE PAYERA PAS POUR:

1. Les appels de service pour corriger l'installation de votre appareil, pour vous expliquer comment utiliser votre appareil, pour remplacer ou réparer les fusibles ou pour corriger le câblage ou la plomberie.
2. Les appels de service pour réparer ou remplacer les ampoules électriques ou les étagères cassées. Les pièces consommables (comme les filtres) sont exclues de la couverture de la garantie.
3. Les dommages résultant d'un accident, d'une altération, d'une mauvaise utilisation, d'un abus, d'un incendie, d'une inondation, d'un cas de force majeure, d'une mauvaise installation, d'une installation non conforme aux codes électriques ou de plomberie, ou de l'utilisation de produits non approuvés par le garant.
4. Les pièces de rechange ou les frais de main-d'œuvre de réparation pour les unités exploitées hors des États-Unis.
5. Les réparations de pièces ou de systèmes résultant de modifications non autorisées apportées à l'appareil.
6. Le retrait et la réinstallation de votre appareil s'il est installé dans un endroit inaccessible ou s'il n'est pas installé conformément aux instructions d'installation publiées.

EXCLUSION DE GARANTIES IMPLICITES: LIMITATION DES RECOURS

LE SEUL ET EXCLUSIF RECOURS DU CLIENT EN VERTU DE CETTE GARANTIE LIMITÉE SERA LA RÉPARATION DU PRODUIT COMME PRÉVU ICI. LES GARANTIES IMPLICITES, Y COMPRIS LES GARANTIES DE QUALITÉ MARCHANDE OU D'ADÉQUATION À UN USAGE PARTICULIER, SONT LIMITÉES À UN AN. LE GARANT NE SERA PAS RESPONSABLE DES DOMMAGES INDIRECTS OU INDIRECTS. CERTAINS ÉTATS NE PERMETTENT PAS L'EXCLUSION OU LA LIMITATION DES DOMMAGES INDIRECTS OU INDIRECTS, OU LES LIMITATIONS SUR LA DURÉE DES GARANTIES IMPLICITES DE QUALITÉ MARCHANDE OU D'ADÉQUATION, CES EXCLUSIONS OU LIMITATIONS PEUVENT NE PAS S'APPLIQUER À VOUS. CETTE GARANTIE VOUS DONNE DES DROITS JURIDIQUES SPÉCIFIQUES ET VOUS POUVEZ ÉGALEMENT AVOIR D'AUTRES DROITS QUI VARIENT D'UN ÉTAT À L'AUTRE.



AVERTISSEMENT: ce produit peut vous exposer à des produits chimiques, y compris le nickel (métallique) qui est connu dans l'État de Californie pour provoquer le cancer.
Pour plus d'informations, rendez-vous sur www.P65Warnings.ca.gov

Remarque: le nickel est un composant de tous les aciers inoxydables et de certaines autres compositions métalliques.

Felix Storch, Inc.
An ISO 9001:2015 registered company
770 Garrison Ave
Bronx, New York 10474
www.accucold.com

SUMMIT

Pour la commande de pièces et d'accessoires, le dépannage et des conseils utiles, visitez:
www.summitappliance.com/support