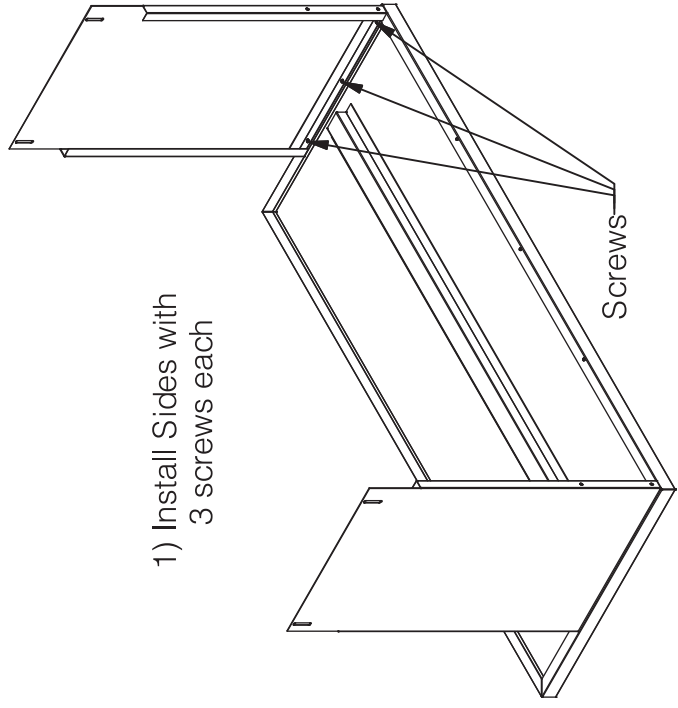
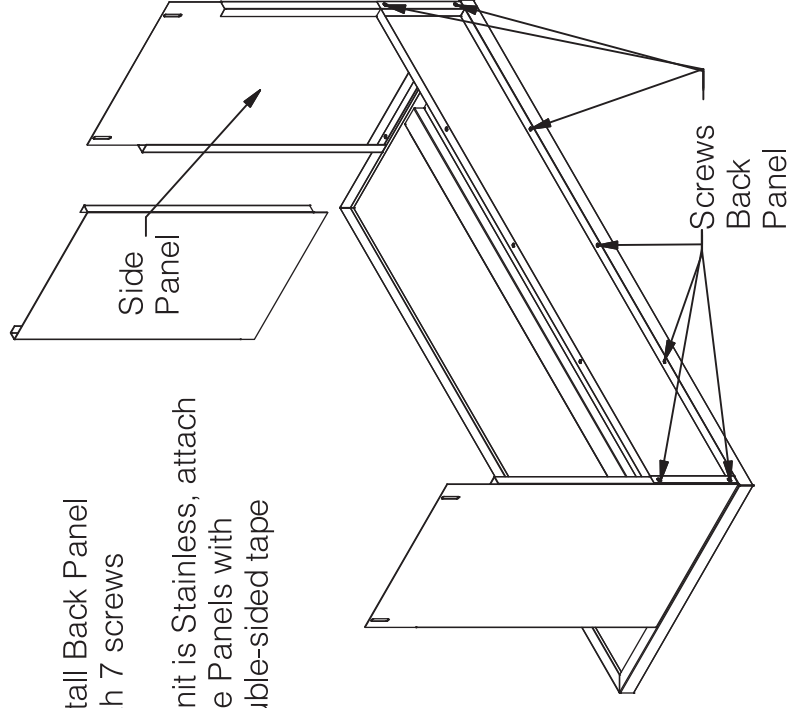


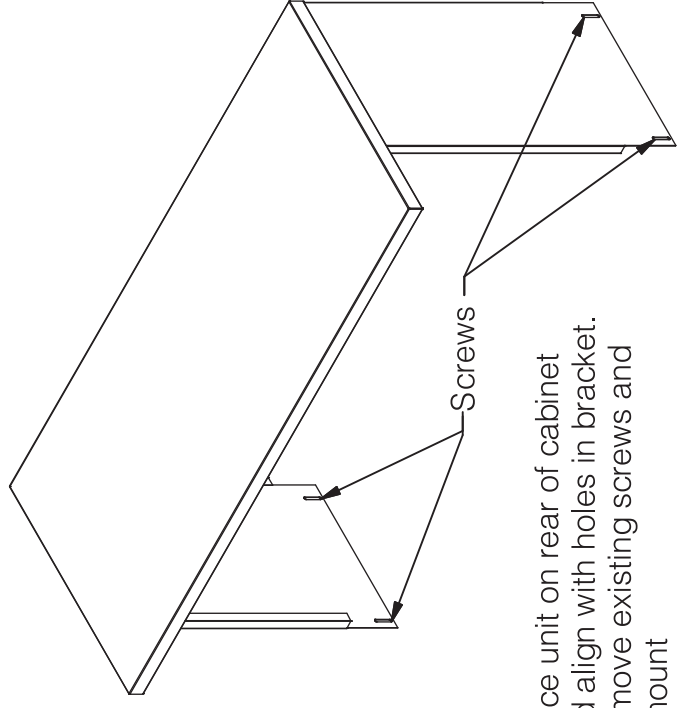
1) Install Sides with 3 screws each



2) Install Back Panel with 7 screws  
3) If unit is Stainless, attach Side Panels with double-sided tape



4) Place unit on rear of cabinet and align with holes in bracket. Remove existing screws and remount



# SUMMIT

For additional assistance, contact our parts or support team at 718-893-3900 or visit us online at [summitappliance.com](http://summitappliance.com)